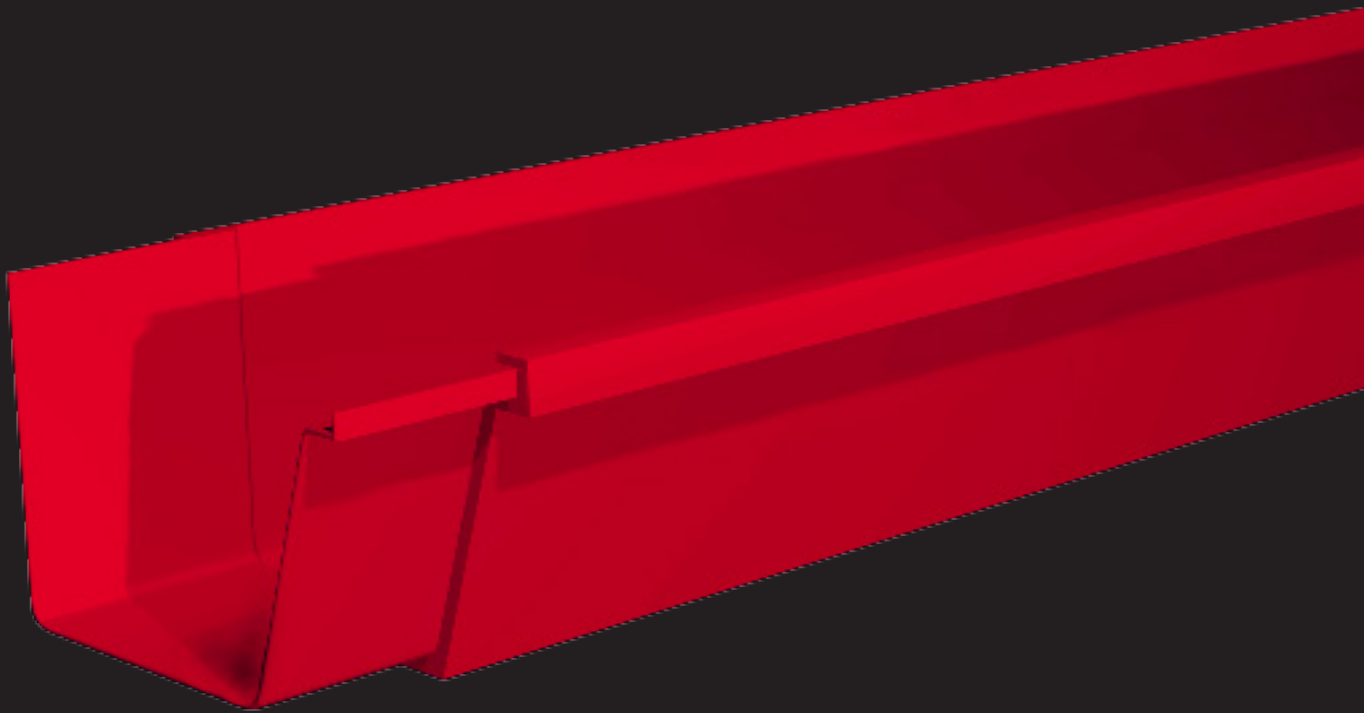
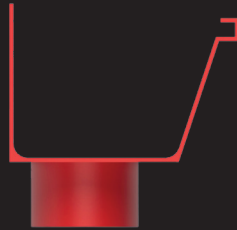


# GUTTERCREST

ALUMINIUM

ASPIRE  
GUTTERS

CONTEMPORARY OGEE GUTTERS



IF YOU DON'T SEE WHAT YOU WANT [PLEASE ASK](#)

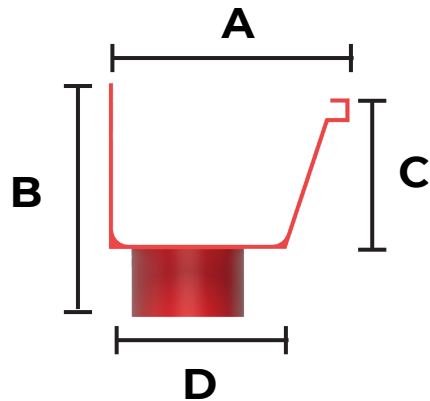
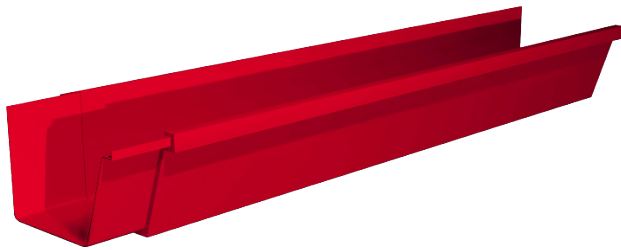
# GUTTERCREST

## ALUMINIUM

### ASPIRE - CONTEMPORARY OGEE

#### STANDARD GUTTER LENGTHS

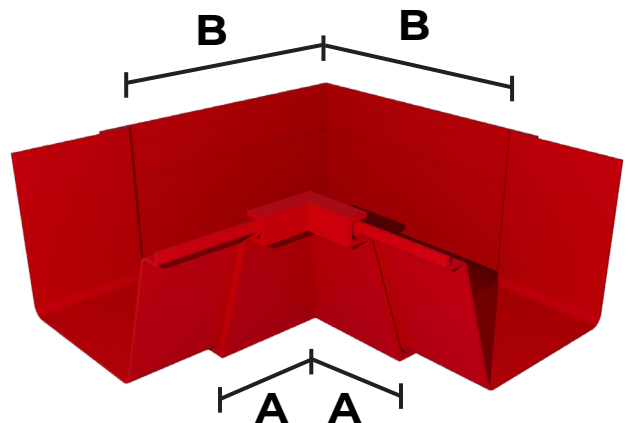
GUTTER (mm)	3m LENGTH	1.8m LENGTH	A (mm)	B (mm)	C (mm)	D (mm)	MATERIAL THICKNESS (mm)
125 X 75	ASP1/1	ASP1/2	125	80	75	85	3
160 X 100	ASP3/1	ASP3/2	160	110	100	117	3



#### ANGLES - INTERNAL & EXTERNAL

GUTTER (mm)	90° EXTERNAL			90° INTERNAL			135° EXTERNAL			135° INTERNAL		
	ANGLE	A (mm)	B (mm)	ANGLE	A (mm)	B (mm)	ANGLE	A (mm)	B (mm)	ANGLE	A (mm)	B (mm)
125 X 75	ASP1/3	115	30	ASP1/4	70	155	ASP1/5	65	30	ASP1/6	47	82
160 X 100	ASP3/3	148	30	ASP3/4	72	199	ASP3/5	79	30	ASP3/6	47	96

GUTTER (mm)	IRREGULAR ANGLE		When ordering an Irregular Angle, state Ref No. with actual fascia Angle and note that A + B lengths vary subject to angle
	EXTERNAL	INTERNAL	
125 X 75	ASP1/7	ASP1/8	
160 X 100	ASP3/7	ASP3/8	



INTERNAL ANGLE SHOWN

# GUTTERCREST

## ALUMINIUM

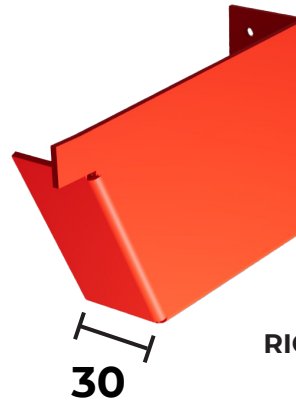
### ASPIRE - CONTEMPORARY OGEE

#### STOP ENDS

GUTTER (mm)	STOP END RIGHT HAND	STOP END LEFT HAND
125 X 75	ASP1/10	ASP1/11
160 X 100	ASP3/10	ASP3/11

#### PLEASE NOTE

THESE ARE INTERNAL STOP ENDS



#### SLEEVE OUTLETS

GUTTER (mm)	ROUND SLEEVE OUTLETS (mm)			
	63 Ø	75 Ø	100 Ø	125 Ø
125 X 75	-	-	-	-
160 X 100	ASP3/SO13	ASP3/SO14	-	-

GUTTER (mm)	SQUARE & RECTANGLE SLEEVE OUTLETS (mm)				
	75 X 50	75 X 75	100 X 75	100 X 100	150 X 100
125 X 75	-	-	-	-	-
160 X 100	ASP3/SO18	ASP3/SO19	ASP3/SO20	-	-

#### PLEASE NOTE

SLEEVE OUTLETS CAN BE USED IN PLACE OF RUNNING OUTLETS GIVING INCREASED FLEXIBILITY AND COST EFFICIENCY



IF YOU DON'T SEE WHAT YOU WANT **PLEASE ASK**

# GUTTERCREST

## ALUMINIUM

### ASPIRE - CONTEMPORARY OGEE

#### RUNNING OUTLETS

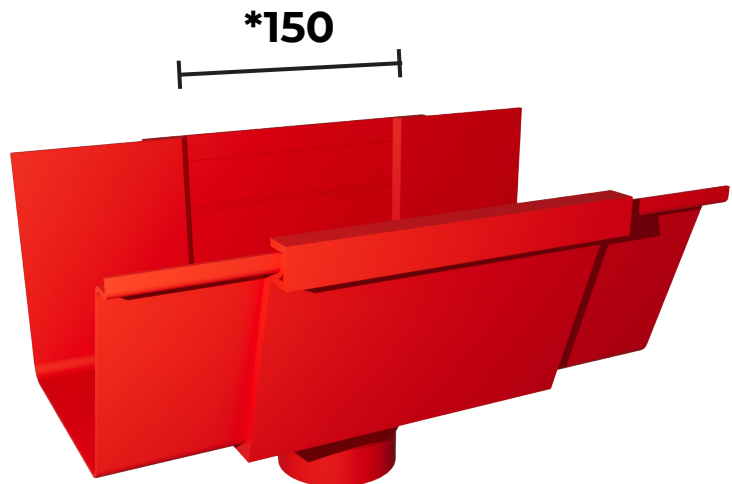
---

GUTTER (mm)	ROUND RUNNING OUTLETS (mm)			
	63 Ø	75 Ø	100 Ø	125 Ø
125 X 75	ASP1/13	ASP1/14	-	-
160 X 100	*ASP3/13	*ASP3/14	ASP3/15	ASP3/16

GUTTER (mm)	SQUARE & RECTANGLE RUNNING OUTLETS (mm)				
	75 X 50	75 X 75	100 X 75	100 X 100	150 X 100
125 X 75	ASP1/18	ASP1/19	ASP1/20	-	-
160 X 100	ASP3/18*	ASP3/19*	ASP3/20*	ASP3/21	ASP3/22

#### PLEASE NOTE

\*INDICATES A SLEEVE OUTLET CAN BE USED IN PLACE OF A RUNNING OUTLET GIVING INCREASED FLEXIBILITY AND COST EFFICIENCY



\*200 FOR OUTLETS OVER 100

# GUTTERCREST

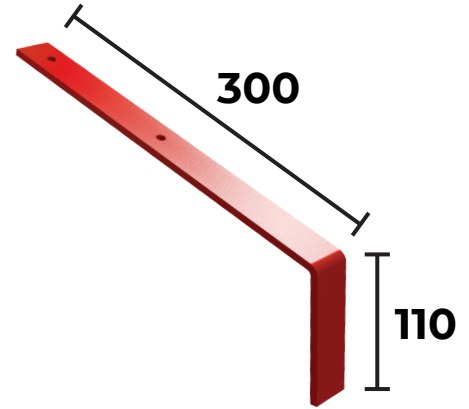
## ALUMINIUM

### ASPIRE - CONTEMPORARY OGEE

#### RAFTER & MORTAR BRACKETS

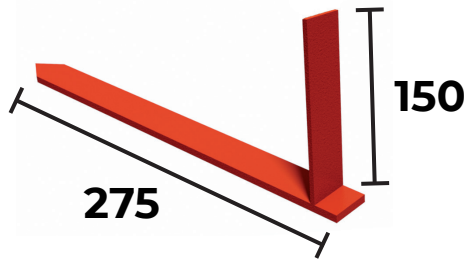
GUTTER (mm)	SIDE RAFTER	*TOP RAFTER	MORTAR BRACKET
125 X 75	ASP1/29	ASP1/30	ASP1/31
160 X 100	ASP3/29	ASP3/30	ASP3/31

RISE AND FALL BRACKETS AVAILABLE ON REQUEST

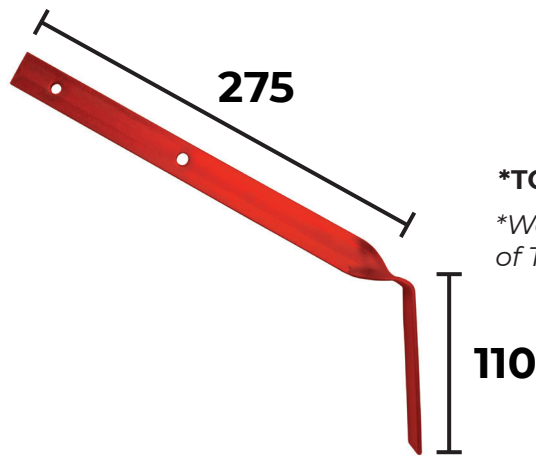


\*TOP RAFTER BRACKET

*\*We advise against the use of Top Rafter Brackets*



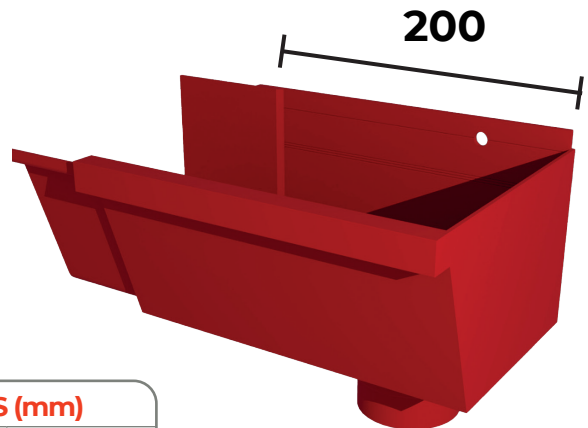
STANDARD MORTAR BRACKET



SIDE RAFTER BRACKET

#### STOP END OUTLETS

GUTTER	ROUND RUNNING OUTLETS (mm)			
	63 Ø	75 Ø	100 Ø	125 Ø
ASPI	ASP1/130	ASP1/140	-	-
ASP3	ASP3/130	ASP3/140	ASP3/150	ASP3/160



GUTTER	SQUARE & RECTANGLE RUNNING OUTLETS (mm)				
	75 X 50	75 X 75	100 X 75	100 X 100	150 X 100
ASPI	ASP1/180	ASP1/190	ASP1/200	-	-
ASP3	ASP3/180	ASP3/190	ASP3/200	ASP3/210	ASP3/220

IF YOU DON'T SEE WHAT YOU WANT **PLEASE ASK**