



ALUMINIUM

SMOOTHLINE
SQUARE & RECTANGULAR
DOWNPIPES

SMOOTH DOWNPIPES FEATURING FLUSH INTERNAL JOINTS
GIVING A CLEAN LINE APPEARANCE



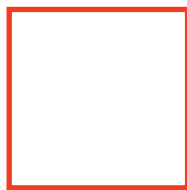
75 X 50 mm
3 X 2"



75 X 75 mm
3 X 3"



100 X 75 mm
4 X 3"



100 X 100 mm
4 X 4"



150 X 100 mm
6 X 4"



150 X 150 mm
6 X 6"

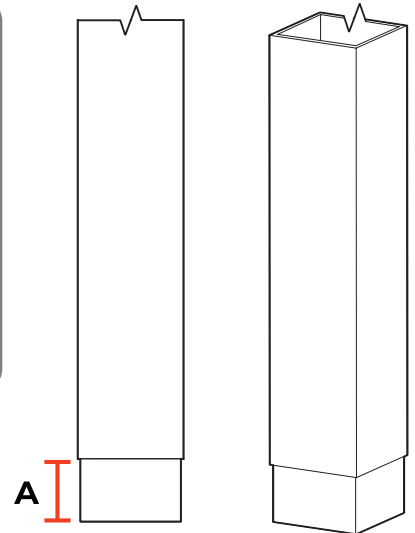
GUTTERCREST

ALUMINIUM

SMOOTHLINE SQUARE & RECTANGULAR DOWNPIPES

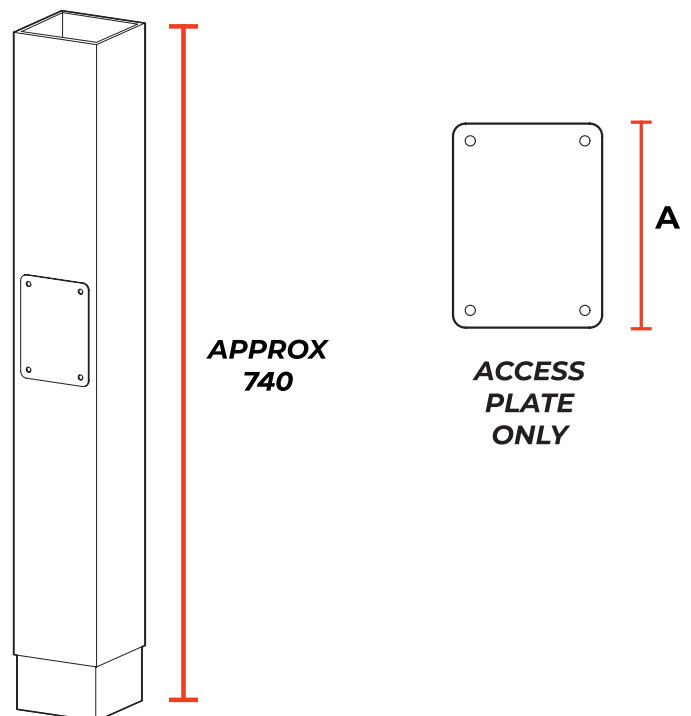
DOWNPIPE LENGTHS

PIPE (mm)	3m	1.5m	1m	OTHER SPECIFY LENGTH	WALL THICKNESS	A (mm)
75 X 50	RW32S/1	RW32S/4	RW32S/5	RW32S/6	1.6	50
75 X 75	RW33S/1	RW33S/4	RW33S/5	RW33S/6	1.6	50
100 X 75	RW43S/1	RW43S/4	RW43S/5	RW43S/6	2	60
100 X 100	RW44S/1	RW44S/4	RW44S/5	RW44S/6	2	60
150 X 100	RW64S/1	RW64S/4	RW64S/5	RW64S/6	2.5	80
150 X 150	RW66S/1	RW66S/4	RW66S/5	RW66S/6	3	80



ACCESS PIPES & PLATES

PIPE (mm)	ACCESS PIPE COMPLETE WITH PLATE	ACCESS PLATE ONLY	A (mm)
75 X 50	RW32S/8	RW32/9	100
75 X 75	RW33S/8	RW33/9	100
100 X 75	RW43S/8	RW43/9	130
100 X 100	RW44S/8	RW44/9	130
150 X 100	RW64S/8	RW64/9	200
150 X 150	RW66S/8	RW66/9	200



ACCESS PIPE COMPLETE WITH PLATE

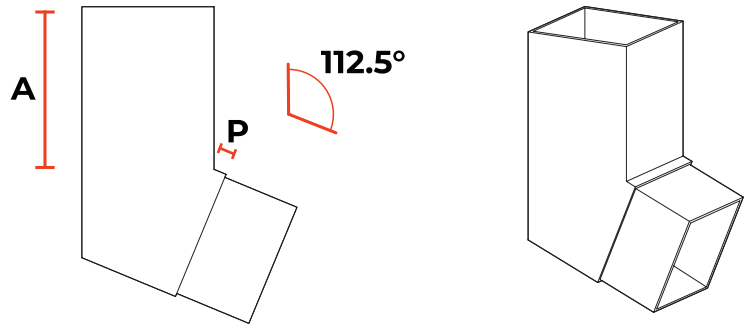
GUTTERCREST

ALUMINIUM

SMOOTHLINE SQUARE & RECTANGULAR DOWNPIPES

BENDS

PIPE (mm)	BEND	A (mm)	P (mm)
75 X 50	RW32S/21	125	10
75 X 75	RW33S/21	125	10
100 X 75	RW43S/21	125	10
100 X 100	RW44S/21	125	10
150 X 100	RW64S/21	125	10
150 X 150	RW66S/21	125	10

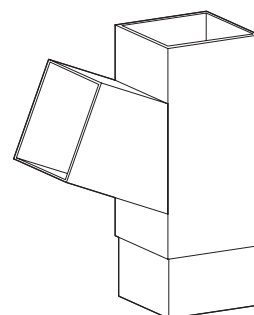
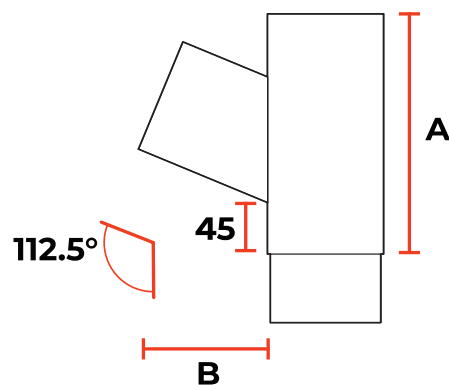


USUALLY TO BE USED WITH A BRANCH

ON RECTANGULAR PROFILES THESE ARE SIDE BENDS ONLY

UNIVERSAL BRANCHES

PIPE (mm)	BRANCH	A (mm)	B (mm)
75 X 50	RW32S/11	180	120
75 X 75	RW33S/11	190	120
100 X 75	RW43S/11	210	140
100 X 100	RW44S/11	210	140
150 X 100	RW64S/11	210	175
150 X 150	RW66S/11	245	175



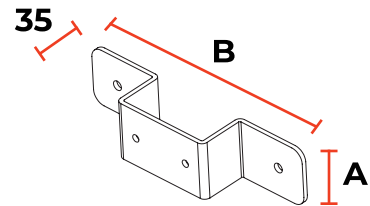
GUTTERCREST

ALUMINIUM

SMOOTHLINE SQUARE & RECTANGULAR DOWNPIPES

PIPE CLIPS & BRACKETS

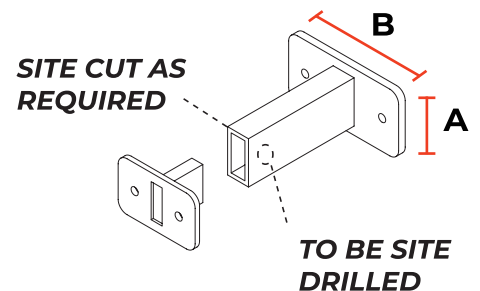
PIPE (mm)	STANDARD PIPE CLIP	A (mm)	B (mm)
75 X 50	RW32/16	40	165
75 X 75	RW33/16	40	165
100 X 75	RW43/16	40	185
100 X 100	RW44/16	40	185
150 X 100	RW64/16	40	245
150 X 150	RW66/16	40	245



STANDARD PIPE CLIP

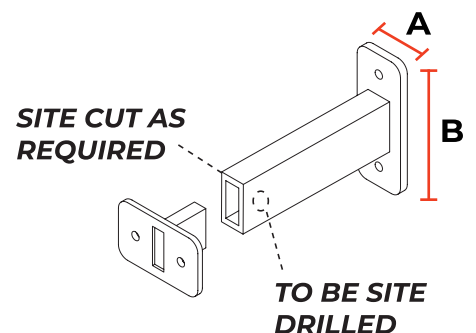
NOTE: THESE PIPE CLIPS GIVE A 35MM STAND OFF FROM BACK OF PIPE TO WALL

PIPE (mm)	TEE BKT 100mm MAX	TEE BKT 200mm MAX	TEE BKT 300mm MAX	A (mm)	B (mm)
75 X 50	RW32/17	RW32/18	RW32/19	52	100
75 X 75	RW33/17	RW33/18	RW33/19	52	100
100 X 75	RW43/17	RW43/18	RW43/19	52	100
100 X 100	RW44/17	RW44/18	RW44/19	52	100
150 X 100	RW64/17	RW64/18	RW64/19	52	140
150 X 150	RW66/17	RW66/18	RW66/19	52	140



STANDARD TEE BRACKET

PIPE (mm)	MULLION BKT 100mm MAX	MULLION BKT 200mm MAX	MULLION BKT 300mm MAX	A (mm)	B (mm)
75 X 50	RW32/171	RW32/181	RW32/191	38	100
75 X 75	RW33/171	RW33/181	RW33/191	38	100
100 X 75	RW43/171	RW43/181	RW43/191	38	100
100 X 100	RW44/171	RW44/181	RW44/191	38	100
150 X 100	RW64/171	RW64/181	RW64/191	52	100
150 X 150	RW66/171	RW66/181	RW66/191	52	100



MULLION TEE BRACKET

OTHER SIZES AND BESPOKE BRACKETS ON REQUEST

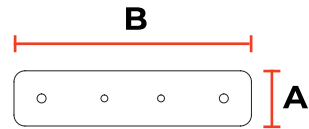
GUTTERCREST

ALUMINIUM

SMOOTHLINE SQUARE & RECTANGULAR DOWNPIPES

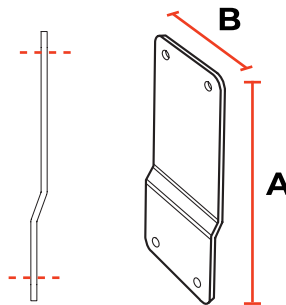
SPECIALIST BRACKETS

PIPE (mm)	FLAT BACK BRACKET	A (mm)	B (mm)
75 X 50	RW32/14	40	172
75 X 75	RW33/14	40	172
100 X 75	RW43/14	40	195
100 X 100	RW44/14	40	195
150 X 100	RW64/14	40	245
150 X 150	RW66/14	40	245



FLAT BACK BRACKET

PIPE (mm)	CONCEALED BRACKET	A (mm)	B (mm)
75 X 50	RW32/15	134	70
75 X 75	RW33/15	134	70
100 X 75	RW43/15	134	95
100 X 100	RW44/15	134	95
150 X 100	RW64/15	167	145
150 X 150	RW66/15	167	145



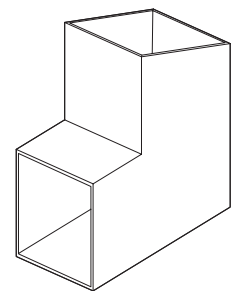
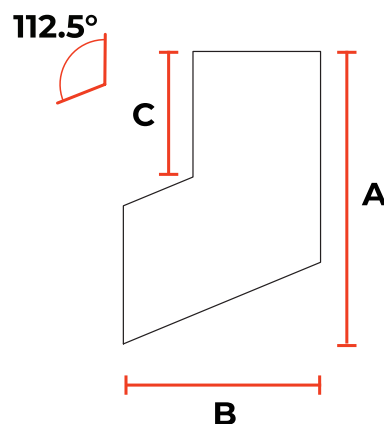
CONCEALED BRACKET

CAN BE USED EITHER WAY UP/DOWN TO ALLOW DOWNPIPES TO BE INSTALLED FROM TOP DOWN OR BOTTOM UP

OTHER SIZES AND BESPOKE BRACKETS ON REQUEST

SHOES

PIPE (mm)	SHOE	A (mm)	B (mm)	C (mm)
75 X 50	RW32S/10	191	78	75
75 X 75	RW33S/10	218	104	75
100 X 75	RW43S/10	218	104	75
100 X 100	RW44S/10	246	129	75
150 X 100	RW64S/10	246	129	100
150 X 150	RW66S/10	301	180	100



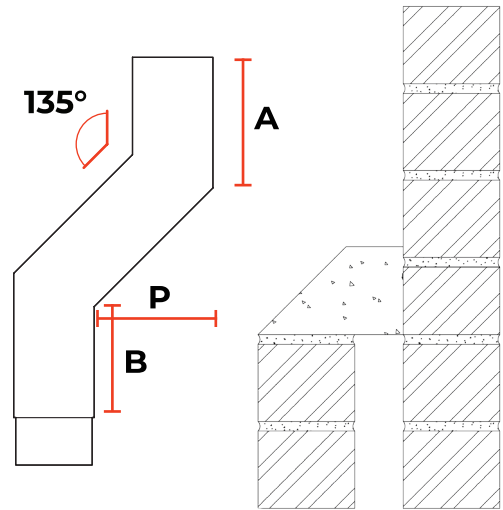
GUTTERCREST

ALUMINIUM

SMOOTHLINE SQUARE & RECTANGULAR DOWNPIPES

PLINTH OFFSETS

PIPE (mm)	PLINTH OFFSET	A (mm)	B (mm)	P (mm)
75 X 50	RW32S/23	135	200	PLEASE STATE SIZE REQUIRED
75 X 75	RW33S/23	145	200	
100 X 75	RW43S/23	145	200	
100 X 100	RW44S/23	165	200	
150 X 100	RW64S/23	165	200	
150 X 150	RW66S/23	205	200	



NOTE: PLEASE STATE PROJECTION (P) SIZE

SWAN NECKS

PIPE (mm)	ONE PIECE STATE SIZE	TWO PIECE MAXIMUM PROJECTION OF SWAN NECKS					OTHER	MINIMUM PROJECTION P
		300	450	600	900	1200		
75 X 50	RW32S/25	RW32S/26	RW32S/27	RW32S/28	RW32S/29	RW32S/30	PLEASE SPECIFY A, B & P PROJECTION ANGLE RW?S/31	105
75 X 75	RW33S/25	RW33S/26	RW33S/27	RW33S/28	RW33S/29	RW33S/30		115
100 X 75	RW43S/25	RW43S/26	RW43S/27	RW43S/28	RW43S/29	RW43S/30		130
100 X 100	RW44S/25	RW44S/26	RW44S/27	RW44S/28	RW44S/29	RW44S/30		150
150 X 100	RW64S/25	RW64S/26	RW64S/27	RW64S/28	RW64S/29	RW64S/30		150
150 X 150	RW66S/25	RW66S/26	RW66S/27	RW66S/28	RW66S/29	RW66S/30		170

NOTE: PLEASE STATE PROJECTION (P) SIZE

