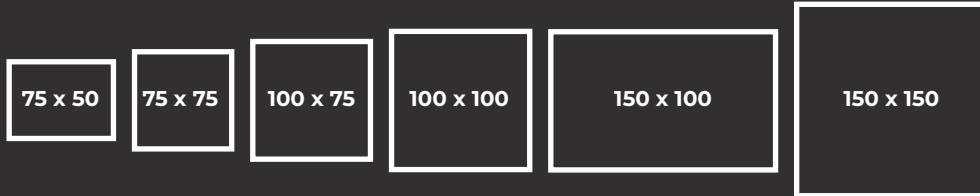


Square & Rectangular Downpipes

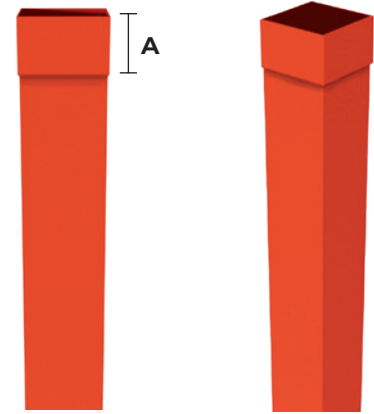
Extruded square and rectangular aluminium downpipes with neat plain collars and pipe clips. Also available as a flush jointed system. (Internal Spigots)



SQUARE & RECTANGULAR DOWNPIPE SYSTEM

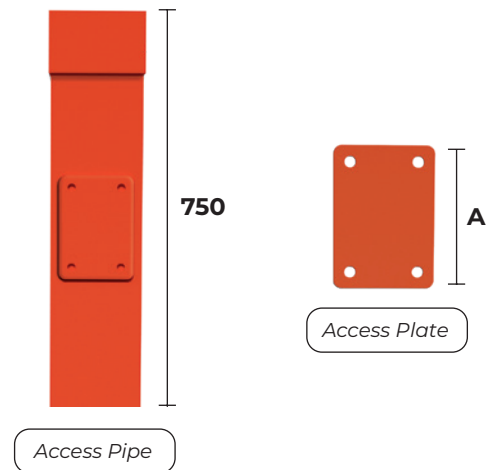
DOWNPIPE LENGTHS

PIPE (MM)	3m	1.5m	OTHER SPECIFY LENGTH	WALL THICKNESS	A (MM)
75 x 50	RW32/1	RW32/4	RW32/6	1.6	50
75 x 75	RW33/1	RW33/4	RW33/6	1.6	50
100 x 75	RW43/1	RW43/4	RW43/6	2	60
100 x 100	RW44/1	RW44/4	RW44/6	2	60
150 x 100	RW64/1	RW64/4	RW64/6	2.5	80
150 x 150	RW66/1	RW66/4	RW66/6	3	80



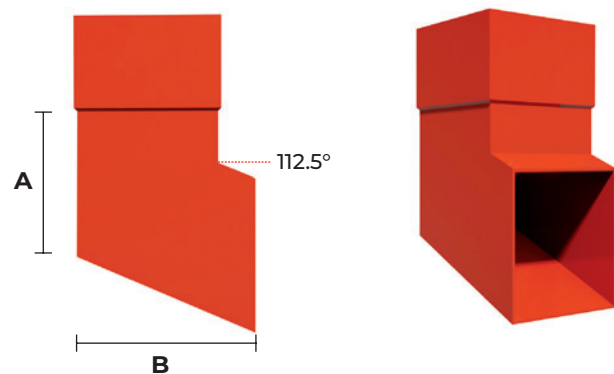
ACCESS PIPES & PLATES

PIPE (MM)	ACCESS PIPE COMPLETE WITH PLATE	ACCESS PLATE	A (MM)
75 x 50	RW32/8	RW32/9	100
75 x 75	RW33/8	RW33/9	100
100 x 75	RW43/8	RW43/9	130
100 x 100	RW44/8	RW44/9	130
150 x 100	RW64/8	RW64/9	200
150 x 150	RW66/8	RW66/9	200



SHOES

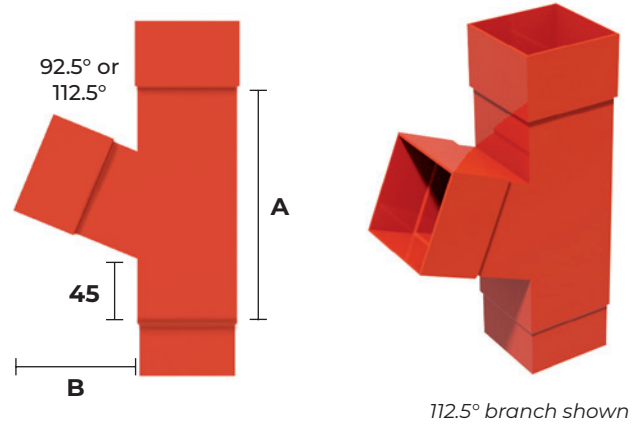
PIPE (MM)	SHOE	A (MM)	B (MM)
75 x 50	RW32/10	130	80
75 x 75	RW33/10	155	105
100 x 75	RW43/10	155	105
100 x 100	RW44/10	180	130
150 x 100	RW64/10	180	130
150 x 150	RW66/10	235	180



SQUARE & RECTANGULAR DOWNPIPE SYSTEM

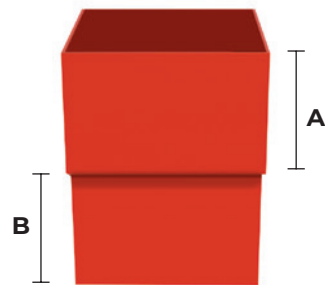
UNIVERSAL BRANCHES

PIPE (MM)	112.5° BRANCH	92.5° BRANCH	A (MM)	B (MM)
75 x 50	RW32/11	RW32/51	335	120
75 x 75	RW33/11	RW33/51	335	120
100 x 75	RW43/11	RW43/51	360	140
100 x 100	RW44/11	RW44/51	360	140
150 x 100	RW64/11	RW64/51	410	175
150 x 150	RW66/11	RW66/51	410	175



CONNECTORS

PIPE (MM)	CONNECTOR	A (MM)	B (MM)
75 x 50	RW32/12	50	50
75 x 75	RW33/12	50	50
100 x 75	RW43/12	60	50
100 x 100	RW44/12	60	50
150 x 100	RW64/12	80	60
150 x 150	RW66/12	80	60

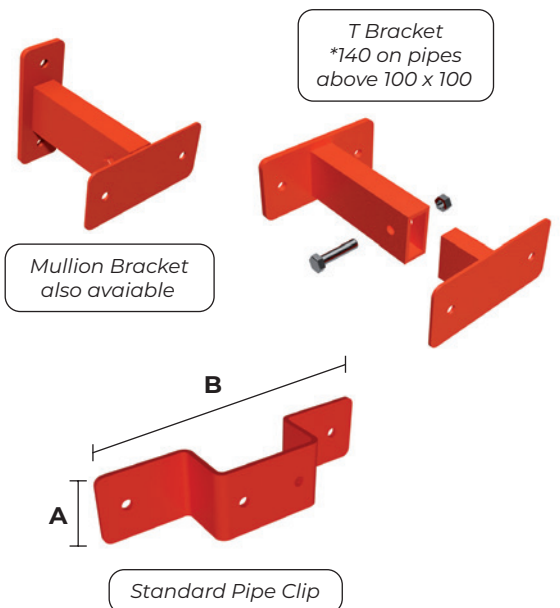


Ground adaptors available

PIPE CLIPS

PIPE (MM)	PIPE CLIP	MAX 100T*BKT	MAX 200T*BKT	MAX 300T*BKT	A (MM)	B (MM)
75 x 50	RW32/16	RW32/17	RW32/18	RW32/19	40	165
75 x 75	RW33/16	RW33/17	RW33/18	RW33/19	40	165
100 x 75	RW43/16	RW43/17	RW43/18	RW43/19	40	185
100 x 100	RW44/16	RW44/17	RW44/18	RW44/19	40	185
150 x 100	RW64/16	RW64/17	RW64/18	RW64/19	40	245
150 x 150	RW66/16	RW66/17	RW66/18	RW66/19	40	245

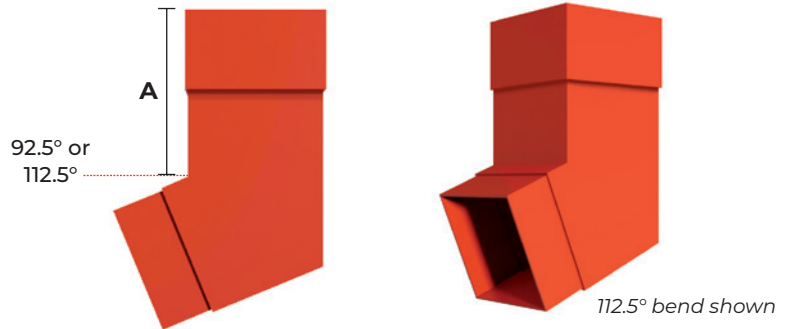
Special brackets available on request.
*T = Projection from wall (mm)



SQUARE & RECTANGULAR DOWNPIPE SYSTEM

UNIVERSAL BENDS

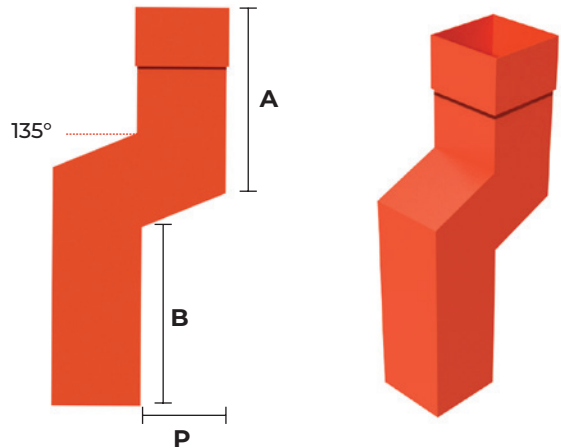
PIPE (MM)	112.5° BEND	92.5° BEND	A (MM)
75 x 50	RW32/21	RW32/61	125
75 x 75	RW33/21	RW33/61	125
100 x 75	RW43/21	RW43/61	125
100 x 100	RW44/21	RW44/61	125
150 x 100	RW64/21	RW64/61	125
150 x 150	RW66/21	RW66/61	125



Note: If front bend required in rectangular profile pipe please specify.

PLINTH OFFSETS

PIPE (MM)	OFFSET	A (MM)	B (MM)	P (MM)
75 x 50	RW32/23	135	200	Please state size required
75 x 75	RW33/23	145	200	
100 x 75	RW43/23	145	200	
100 x 100	RW44/23	165	200	
150 x 100	RW64/23	165	200	
150 x 150	RW66/23	205	200	



SWAN NECKS

PIPE (MM)	ONE PIECE STATE SIZE	MAXIMUM PROJECTION OF SWAN NECKS					OTHER	MINIMUM PROJECTION P
		300	450	600	900	1200		
112.5° ANGLE								
75 x 50	RW32/25	RW32/26	RW32/27	RW32/28	RW32/29	RW32/30	Please specify A, B & P, projection angle RW?/31	135
75 x 75	RW33/25	RW33/26	RW33/27	RW33/28	RW33/29	RW33/30		155
100 x 75	RW43/25	RW43/26	RW43/27	RW43/28	RW43/29	RW43/30		155
100 x 100	RW44/25	RW44/26	RW44/27	RW44/28	RW44/29	RW44/30		185
150 x 100	RW64/25	RW64/26	RW64/27	RW64/28	RW64/29	RW64/30		185
150 x 150	RW66/25	RW66/26	RW66/27	RW66/28	RW66/29	RW66/30		250
92.5° ANGLE								
75 x 50	RW32/65	RW32/66	RW32/67	RW32/68	RW32/69	RW32/70	Please specify A, B & P, projection angle RW?/71	135
75 x 75	RW33/65	RW33/66	RW33/67	RW33/68	RW33/69	RW33/70		155
100 x 75	RW43/65	RW43/66	RW43/67	RW43/68	RW43/69	RW43/70		155
100 x 100	RW44/65	RW44/66	RW44/67	RW44/68	RW44/69	RW44/70		185
150 x 100	RW64/65	RW64/66	RW64/67	RW64/68	RW64/69	RW64/70		185
150 x 150	RW66/65	RW66/66	RW66/67	RW66/68	RW66/69	RW66/70		250

