

# **GUTTERCREST**

## **ALUMINIUM**

### **BEADED DEEP FLOW GUTTERS**



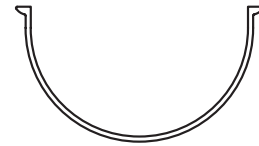
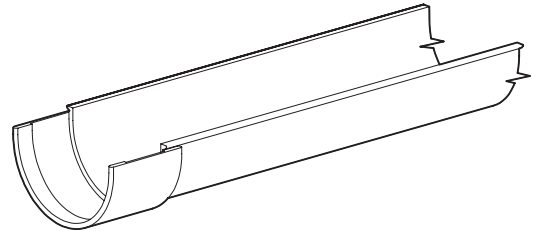
### **PRICE LIST**

## PRICE LIST

### BEADED DEEP FLOW GUTTER SYSTEM

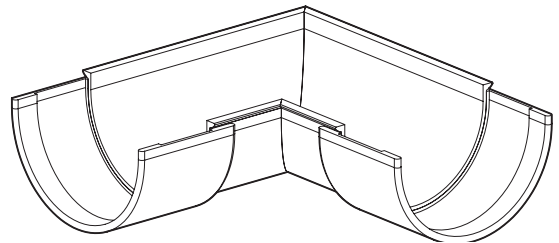
#### STANDARD GUTTER LENGTHS

Gutter (mm)	100	125	150
3.0mtr	BDF1/1	BDF2/1	BDF3/1
MILL	36.72	51.63	70.42
PPC	42.97	59.81	80.56
1.8mtr	BDF1/2	BDF2/2	BDF3/2
MILL	23.48	32.52	44.01
PPC	27.29	37.43	50.10



#### ANGLES - INTERNAL & EXTERNAL

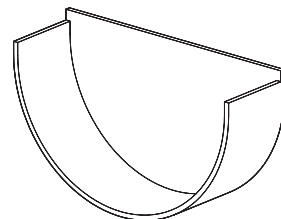
Gutter (mm)	100	125	150
90°	BDF1/3	BDF2/3	BDF3/3
MILL	14.30	16.38	19.91
PPC	14.96	17.29	21.14
135°	BDF1/5	BDF2/5	BDF3/5
MILL	13.54	16.27	17.77
PPC	14.05	16.97	18.66
Irregular	BDF1/7	BDF2/7	BDF3/7
MILL	24.49	29.09	37.41
PPC	25.18	30.06	38.81



#### STOP ENDS

Gutter (mm)	100	125	150
Stop End	BDF1/9	BDF2/9	BDF3/9
MILL	4.40	5.55	6.41
PPC	4.90	6.05	6.91

Please Note: These are External Stop Ends

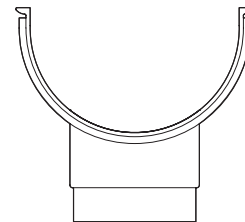
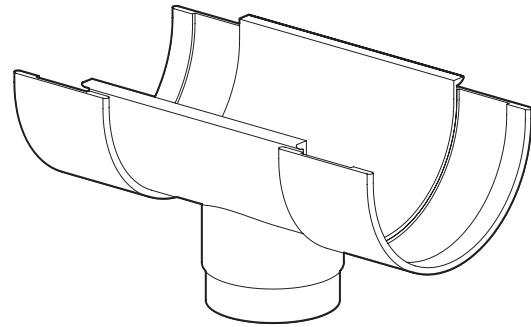


## PRICE LIST

### BEADED DEEP FLOW GUTTER SYSTEM

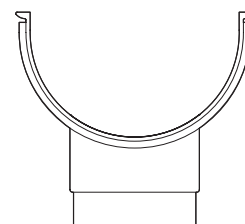
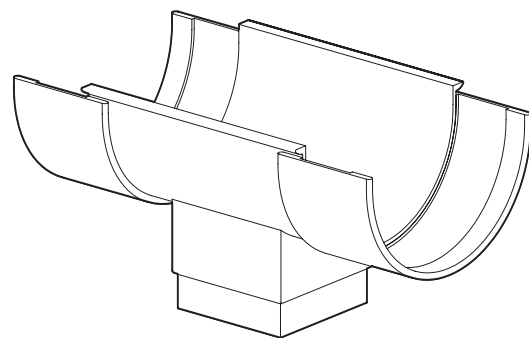
#### RUNNING OUTLETS - ROUND

Gutter (mm)	100	125	150
63mm Ø	BDF1/13	BDF2/13	BDF3/13
MILL	18.07	19.46	21.55
PPC	18.60	20.15	22.40
75mm Ø	BDF1/14	BDF2/14	BDF3/14
MILL	18.18	19.58	21.67
PPC	18.71	20.27	22.52
100mm Ø	BDF1/15	BDF2/15	BDF3/15
MILL	-	20.47	22.56
PPC	-	21.16	23.41
125mm Ø	BDF1/16	BDF2/16	BDF3/16
MILL	-	-	28.89
PPC	-	-	29.91



#### RUNNING OUTLETS - SQUARE & RECTANGULAR

Gutter (mm)	100	125	150
75 x 50mm	BDF1/18	BDF2/18	BDF3/18
MILL	21.32	22.13	24.50
PPC	21.85	22.82	25.35
75 x 75mm	BDF1/19	BDF2/19	BDF3/19
MILL	21.48	22.68	25.05
PPC	22.01	23.37	25.90
100 x 75mm	BDF1/20	BDF2/20	BDF3/20
MILL	21.90	23.49	25.86
PPC	22.43	24.18	26.71
100 x 100mm	BDF1/21	BDF2/21	BDF3/21
MILL	-	24.69	27.06
PPC	-	25.38	27.91
150 x 100mm	BDF1/22	BDF2/22	BDF3/22
MILL	-	27.98	30.73
PPC	-	28.80	31.75

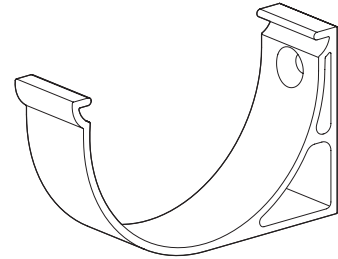


## PRICE LIST

### BEADED DEEP FLOW GUTTER SYSTEM

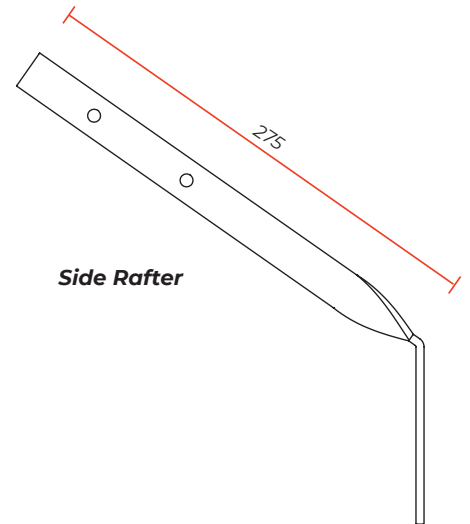
#### FASCIA BRACKETS

Gutter (mm)	100	125	150
Bracket	BDF1/28	BDF2/28	BDF3/28
MILL	2.85	3.40	3.85
PPC	3.35	3.90	4.35

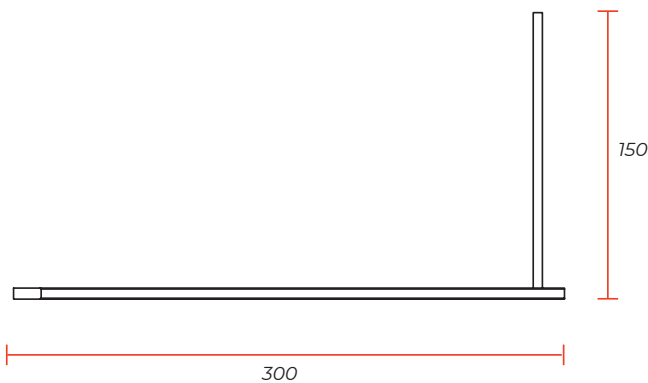


#### RAFTER & MORTAR BRACKETS

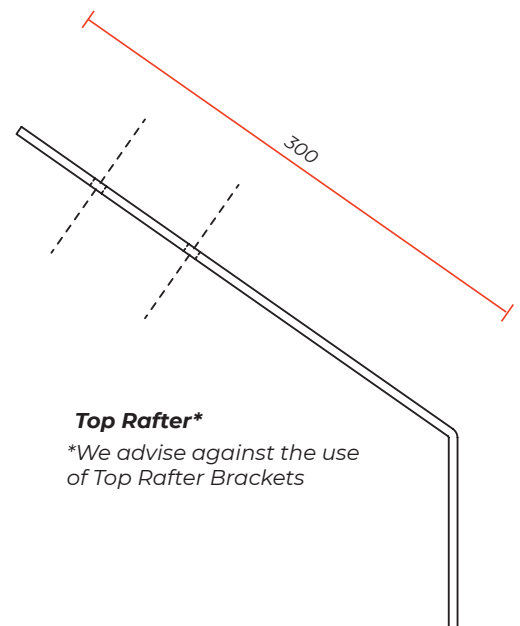
Gutter (mm)	100	125	150
Side Rafter	BDF1/29	BDF2/29	BDF3/29
MILL	5.34	5.34	5.34
PPC	5.89	5.89	5.89
Top Rafter	BDF1/30	BDF2/30	BDF3/30
MILL	4.63	4.63	4.63
PPC	5.18	5.18	5.18
Mortar	BDF1/31	BDF2/31	BDF3/31
MILL	7.02	7.02	7.02
PPC	7.57	7.57	7.57



Side Rafter



Standard Mortar Bracket



Top Rafter\*

\*We advise against the use of Top Rafter Brackets

## PRICE LIST

### FIXINGS & SEALANTS

Code	Qty	Description	Price
GM1	25	Gutter Fixing 38 x 5.5 A2 Stainless Steel	4.42
GM2	100	Gutter Fixing 38 x 5.5 A2 Stainless Steel	12.00
GM3	200	Gutter Fixing 38 x 5.5 A2 Stainless Steel	22.40



GM1 - GM5

Code	Qty	Description	Price
GM201	25	4.8 x 14.7 All Aluminium sealed Rivet	3.13
GM202	100	4.8 x 14.7 All Aluminium sealed Rivet	12.03
GM203	200	4.8 x 14.7 All Aluminium sealed Rivet	23.94



GM201 - GM203

Code	Qty	Description	Price
GM610	25	6.3mm STRUCTURAL Aluminium Rivet	10.66
GM620	100	6.3mm STRUCTURAL Aluminium Rivet	37.44



GM610 - GM620

Code	Qty	Description	Price
GM20	25	Downpipe Fixing 6 x 50 A2 Stainless Steel	9.05
GM21	100	Downpipe Fixing 6 x 50 A2 Stainless Steel	31.17



GM20 - GM21

Code	Qty	Description	Price
GM30	1	380ml Cartridge Silicone Sealant - Grey	11.07
GM32	1	1no 12mtr Reel Butyl Tape 12mm x 3mm	4.67
GM34	1	1 Litre Sealant Cleaner	10.96
GM40	1	0.5ltr Touch Up Paint - Colour to match order	23.35
GM50	1	1no Drill Bit 4.8mm	2.10
GM51	1	1no Drill Bit 6.4mm	3.32



GM30



GM32



GM50 - GM60

Code	Qty	Description	Price
GM910	1	Standard Rainwater Rivet Gun	19.52
GM920	1	Professional Rivet Gun - Interchangeable collets for rainwater and structural rivets	111.10



GM910



GM920

# PRICE LIST

## CARRIAGE CHARGES

### GUTTERS, DOWNPIPES & HOPPERS

TOTAL NET ORDER VALUE (EXCLUDING VAT)		PRICE
£0 - £99	BOXED UP TO 10KG	£15.00 Min Charge
£0 - £99	3M LENGTHS UP TO 10KGS	£30.00
£100 - £624		£40.00
£625 - £1249		£55.00
£1250 PLUS		FREE DELIVERY

Delivery Exclusions Apply: Please see the Charges section below

### COPING, FASCIAS & SOFFITS

TOTAL NET ORDER VALUE (EXCLUDING VAT)	PRICE
£0 - £150	£40.00
£151 - £1249	£95.00
£1250 PLUS	FREE DELIVERY

Delivery Exclusions Apply: Please see the Charges section below

### CHARGES

With a fleet of Guttercrest vehicles and outside couriers, we deliver all our aluminium products to your local builders merchant or direct to site.

#### SCOTTISH MAINLAND

Standard carriage charges apply on Postcode areas: DG, EH, G, KA, KY, TD

ALSO TO INCLUDE: DD1 - DD7, FK1 - FK7, FK9 - FK15, FK8 STERLING ONLY (Rest of FK8 will be price on application), KY1 - KY16, PA1 - PA19, PH1 - PH4, PH12 - PH14

All other Scottish Mainland, carriage price on application.

#### NON MAINLAND

For delivery to Northern Ireland, The Republic of Ireland and all offshore Islands, carriage Price on application.

#### EXPORT

Price on application.

Tel: +44 (0)1691 663300

Email: [info@guttercrest.co.uk](mailto:info@guttercrest.co.uk)

VAT will be charged at the appropriate rate.

