

# GUTTERCREST

## ALUMINIUM

### GEORGIAN SQUARE & RECTANGLE DOWNPIPES



75 X 75 mm  
3 X 3"



75 X 50 mm  
3 X 2"



100 X 100 mm  
4 X 4"



100 X 75 mm  
4 X 3"

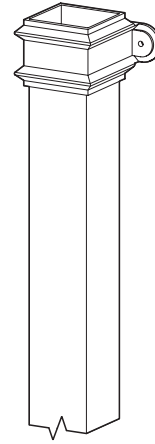
## PRICE LIST

## PRICE LIST

### GEORGIAN SQUARE & RECTANGULAR DOWNPIPE SYSTEM

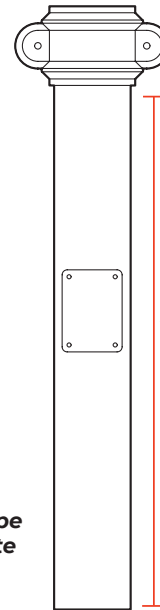
#### DOWNPIPE LENGTHS

Pipe (mm)	75 x 50	75 x 75	100 x 75	100 x 100
3.0mtr	RW32G/1	RW33G/1	RW43G/1	RW44G/1
MILL	44.47	52.41	69.72	78.97
PPC	51.18	60.46	79.11	89.70
1.8mtr	RW32G/3	RW33G/3	RW43G/3	RW44G/3
MILL	31.67	36.98	47.81	53.86
PPC	35.69	41.81	53.44	60.30

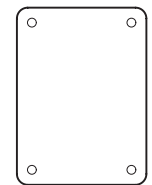


#### ACCESS PIPES & PLATES

Pipe (mm)	75 x 50	75 x 75	100 x 75	100 x 100
Pipe With Plate	RW32G/8	RW33G/8	RW43G/8	RW44G/8
MILL	27.46	30.60	36.14	40.53
PPC	29.29	32.85	38.77	43.53
Plate Only	RW32/9	RW33/9	RW43/9	RW44/9
MILL	2.21	2.21	2.56	2.53
PPC	2.71	2.71	3.06	3.03



Approx  
700mm

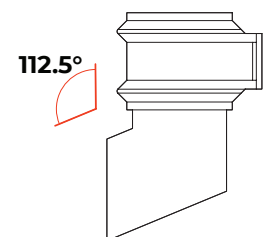
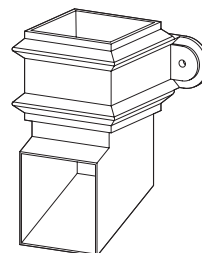


Access Plate

Access Pipe  
With Plate

#### SHOES

Pipe (mm)	75 x 50	75 x 75	100 x 75	100 x 100
Shoe	RW32G/10	RW33G/10	RW43G/10	RW44G/10
MILL	21.68	24.34	27.01	32.28
PPC	22.18	24.97	27.74	33.23



112.5°

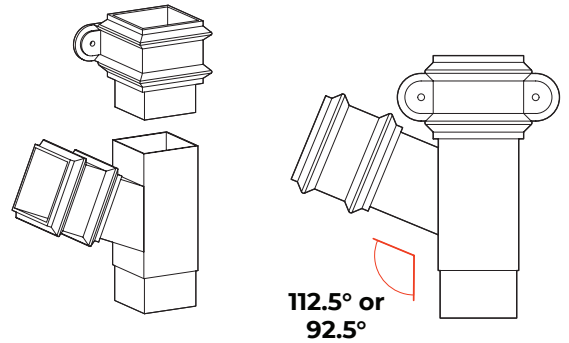
## PRICE LIST

### GEORGIAN SQUARE & RECTANGULAR DOWNPIPE SYSTEM

#### UNIVERSAL BRANCHES

Pipe (mm)		75 x 50	75 x 75	100 x 75	100 x 100
Branch	112.5°	RW32G/11	RW33G/11	RW43G/11	RW44G/11
	92.5°	RW32G/51	RW33G/51	RW43G/51	RW44G/51
MILL		41.38	45.19	51.86	59.95
PPC		41.99	45.92	52.80	61.03

NOTE: UNIVERSAL BRANCH FOR LEFT OR RIGHT, IF ONE PIECE IS REQUIRED PLEASE STATE INCLUDING LEFT OR RIGHT HAND

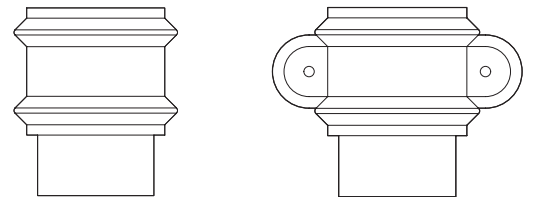


112.5° branch shown

#### CONNECTORS

Pipe (mm)		75 x 50	75 x 75	100 x 75	100 x 100
Connector No Ears		RW32G/12	RW33G/12	RW43G/12	RW44G/12
MILL		14.73	15.49	17.57	19.26
PPC		15.23	15.99	18.07	19.78
Connector Eared		RW32G/13	RW33G/13	RW43G/13	RW44G/13
MILL		15.62	17.59	17.50	20.85
PPC		16.12	18.09	18.00	21.37

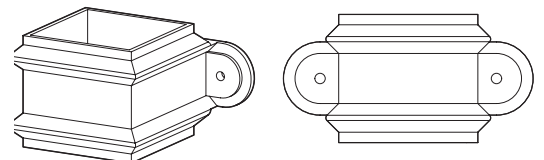
NOTE: GROUND ADAPTORS AVAILABLE



#### COLLAR BRACKETS

Pipe (mm)		75 x 50	75 x 75	100 x 75	100 x 100
Collar Bkt Eared		RW32G/15	RW33G/15	RW43G/15	RW44G/15
MILL		12.37	13.38	14.00	14.88
PPC		12.87	13.88	14.50	15.38

NOTE: THIS ITEM IS USED IN PLACE OF A BRACKET, FOR EXAMPLE AT THE BASE OF A DOWNPIPE IF NO SHOE IS REQUIRED



## PRICE LIST

### GEORGIAN SQUARE & RECTANGULAR DOWNPIPE SYSTEM

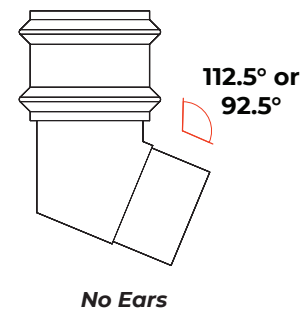
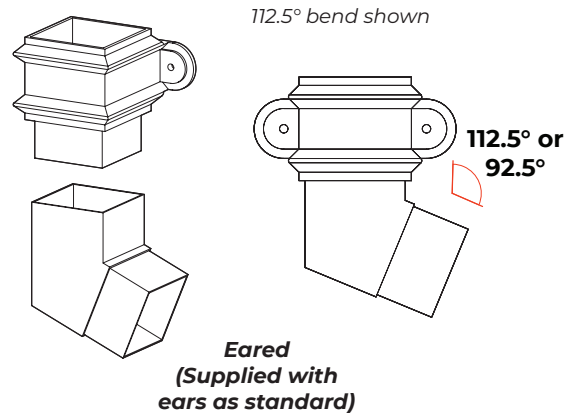
#### BENDS

Pipe (mm)		75 x 50	75 x 75	100 x 75	100 x 100
Side Bend No Ears	112.5°	RW32G/21	RW33G/21	RW43G/21	RW44G/21
	92.5°	RW32G/61	RW33G/61	RW43G/61	RW44G/61
<b>MILL</b>		<b>25.06</b>	<b>26.53</b>	<b>32.35</b>	<b>35.60</b>
<b>PPC</b>		<b>25.56</b>	<b>27.06</b>	<b>32.97</b>	<b>36.37</b>
Side Bend Eared	112.5°	RW32G/22	RW33G/22	RW43G/22	RW44G/22
	92.5°	RW32G/62	RW33G/62	RW43G/62	RW44G/62
<b>MILL</b>		<b>25.96</b>	<b>28.63</b>	<b>32.29</b>	<b>37.19</b>
<b>PPC</b>		<b>26.46</b>	<b>29.16</b>	<b>32.91</b>	<b>37.96</b>

NOTE: UNIVERSAL BENDS FOR LEFT OR RIGHT, IF ONE PIECE IS REQUIRED PLEASE STATE INCLUDING LEFT OR RIGHT HAND

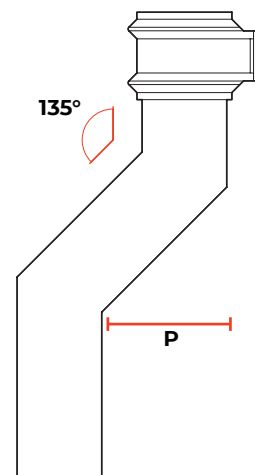
NORMALLY USED WITH A BRANCH

RECTANGULAR BENDS CAN ONLY BE USED AS A SIDE LEFT OR RIGHT NOT FORWARD OR REAR PROJECTING



#### PLINTH OFFSETS

Pipe (mm)	75 x 50	75 x 75	100 x 75	100 x 100
Offset Up To 150mm	RW32G/23	RW33G/23	RW43G/23	RW44G/23
<b>MILL</b>	<b>38.52</b>	<b>42.83</b>	<b>47.80</b>	<b>52.39</b>
<b>PPC</b>	<b>39.57</b>	<b>44.09</b>	<b>49.30</b>	<b>54.14</b>



## PRICE LIST

### GEORGIAN SQUARE & RECTANGULAR DOWNPIPE SYSTEM

#### SWAN NECKS

##### SWAN NECK 1 PIECE

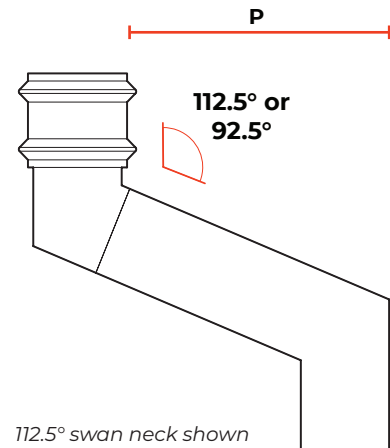
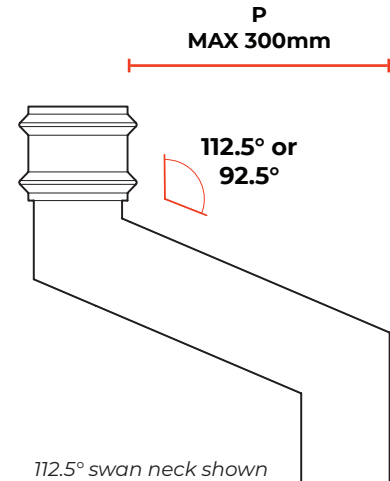
Pipe (mm)		75 x 50	75 x 75	100 x 75	100 x 100
One Piece 300mm	112.5°	RW32G/25	RW33G/25	RW43G/25	RW44G/25
	92.5°	RW32G/65	RW33G/65	RW43G/65	RW44G/65
MILL		48.69	52.26	58.67	63.58
PPC		50.08	53.87	60.55	65.81

NOTE: PLEASE STATE PROJECTION (P) SIZE

##### SWAN NECK 2 PIECE

Pipe (mm)		75 x 50	75 x 75	100 x 75	100 x 100
Two Piece 300mm	112.5°	RW32G/26	RW33G/26	RW43G/26	RW44G/26
	92.5°	RW32G/66	RW33G/66	RW43G/66	RW44G/66
MILL		33.85	36.64	46.78	48.58
PPC		35.37	38.42	48.86	51.07
Two Piece 450mm	112.5°	RW32G/27	RW33G/27	RW43G/27	RW44G/27
	92.5°	RW32G/67	RW33G/67	RW43G/67	RW44G/67
MILL		35.68	38.85	47.93	51.84
PPC		37.56	41.06	50.51	54.90
Two Piece 600mm	112.5°	RW32G/28	RW33G/28	RW43G/28	RW44G/28
	92.5°	RW32G/68	RW33G/68	RW43G/68	RW44G/68
MILL		37.32	40.83	50.72	55.05
PPC		39.57	43.48	53.81	58.70
Two Piece 900mm	112.5°	RW32G/29	RW33G/29	RW43G/29	RW44G/29
	92.5°	RW32G/69	RW33G/69	RW43G/69	RW44G/69
MILL		42.59	45.16	58.87	62.44
PPC		45.56	48.68	62.98	67.25
Two Piece 1200mm	112.5°	RW32G/30	RW33G/30	RW43G/30	RW44G/30
	92.5°	RW32G/70	RW33G/70	RW43G/70	RW44G/70
MILL		45.30	50.44	62.92	71.09
PPC		49.01	54.85	68.06	77.08

NOTE: PLEASE STATE PROJECTION (P) SIZE



## PRICE LIST

### FIXINGS & SEALANTS

Code	Qty	Description	Price
GM1	25	Gutter Fixing 38 x 5.5 A2 Stainless Steel	4.42
GM2	100	Gutter Fixing 38 x 5.5 A2 Stainless Steel	12.00
GM3	200	Gutter Fixing 38 x 5.5 A2 Stainless Steel	22.40



GM1 - GM5

Code	Qty	Description	Price
GM201	25	4.8 x 14.7 All Aluminium sealed Rivet	3.13
GM202	100	4.8 x 14.7 All Aluminium sealed Rivet	12.03
GM203	200	4.8 x 14.7 All Aluminium sealed Rivet	23.94



GM201 - GM203

Code	Qty	Description	Price
GM610	25	6.3mm STRUCTURAL Aluminium Rivet	10.66
GM620	100	6.3mm STRUCTURAL Aluminium Rivet	37.44



GM610 - GM620

Code	Qty	Description	Price
GM20	25	Downpipe Fixing 6 x 50 A2 Stainless Steel	9.05
GM21	100	Downpipe Fixing 6 x 50 A2 Stainless Steel	31.17



GM20 - GM21

Code	Qty	Description	Price
GM30	1	380ml Cartridge Silicone Sealant - Grey	11.07
GM32	1	1no 12mtr Reel Butyl Tape 12mm x 3mm	4.67
GM34	1	1 Litre Sealant Cleaner	10.96
GM40	1	0.5ltr Touch Up Paint - Colour to match order	23.35
GM50	1	1no Drill Bit 4.8mm	2.10
GM51	1	1no Drill Bit 6.4mm	3.32



GM30



GM32



GM50 - GM60

Code	Qty	Description	Price
GM910	1	Standard Rainwater Rivet Gun	19.52
GM920	1	Professional Rivet Gun - Interchangeable collets for rainwater and structural rivets	111.10



GM910



GM920

## PRICE LIST

### CARRIAGE CHARGES

#### GUTTERS, DOWNPIPES & HOPPERS

TOTAL NET ORDER VALUE (EXCLUDING VAT)		PRICE
£0 - £99	BOXED UP TO 10KG	£15 Min Charge
£0 - £99	3M LENGTHS UP TO 10KGS	£30
£100 - £624		£40
£625 - £1249		£55
£1250 PLUS		FREE DELIVERY

Delivery Exclusions Apply:  
Please see the Charges  
section below

#### COPING, FASCIAS & SOFFITS

TOTAL NET ORDER VALUE (EXCLUDING VAT)	PRICE
£0 - £150	£40
£151 - £1249	£95
£1250 PLUS	FREE DELIVERY

Delivery Exclusions Apply:  
Please see the Charges  
section below

#### CHARGES

With a fleet of Guttercrest vehicles and outside couriers, we deliver all our aluminium products to your local builders merchant or direct to site.

##### SCOTTISH MAINLAND

Standard carriage charges apply on  
Postcode areas: DG, EH, G, KA, KY, TD

ALSO TO INCLUDE: DD1 - DD7, FK1 - FK7, FK9 - FK15,  
FK8 STERLING ONLY (Rest of FK8 will be price on application),  
KY1 - KY16, PA1 - PA19, PH1 - PH4, PH12 - PH14

All other Scottish Mainland, carriage price on application.

##### NON MAINLAND

For delivery to Northern Ireland, The Republic of Ireland  
and all offshore Islands, carriage Price on application.

##### EXPORT

Price on application.

Tel: +44 (0)1691 663300

Email: [info@guttercrest.co.uk](mailto:info@guttercrest.co.uk)

VAT will be charged at the appropriate rate.

