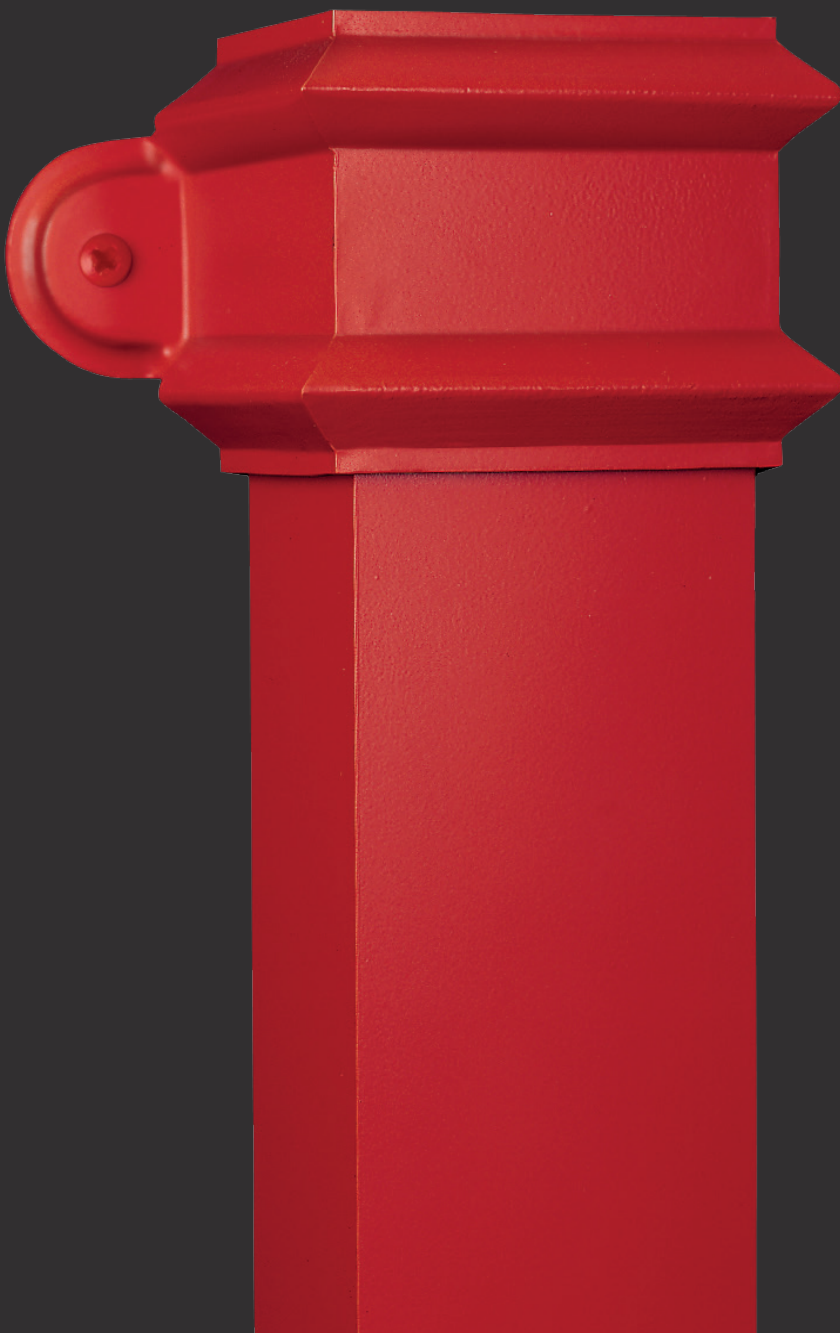
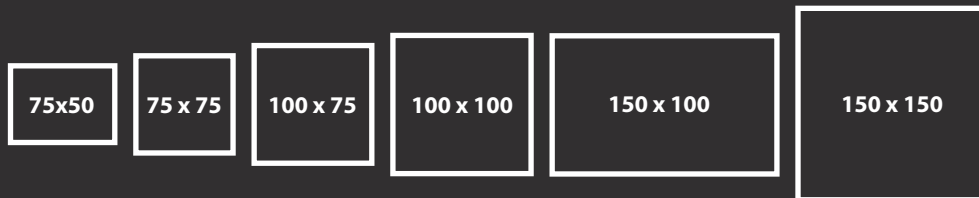


Georgian Square & Rectangular Downpipes

Extruded square and rectangular aluminium downpipes with Georgian style.

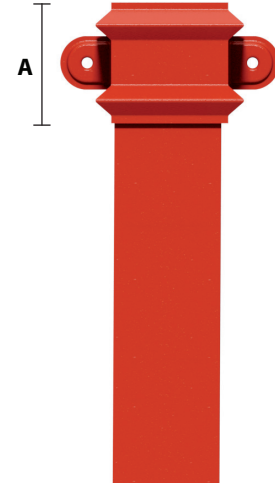


GEORGIAN SQUARE & RECTANGULAR CAST DOWNPIPE SYSTEM

DOWNPIPE LENGTHS

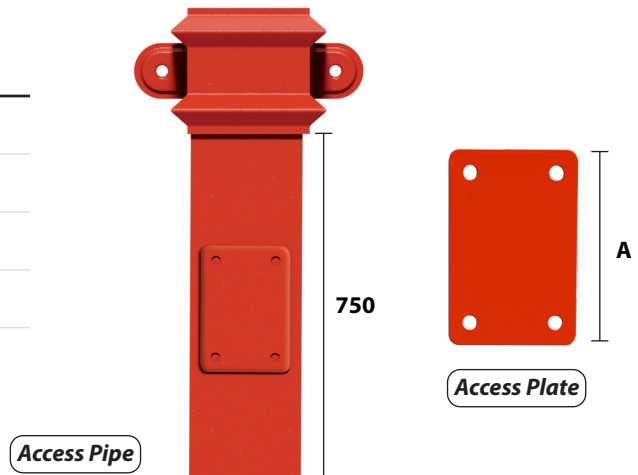
PIPE (mm)	3m	1.8m	1m	OTHER SPECIFY LENGTH	WALL THICKNESS	A (mm)
75 x 50	RW32G/1	RW32G/3	RW32G/5	RW32G/6	1.6	85
75 x 75	RW33G/1	RW33G/3	RW33G/5	RW33G/6	1.6	105
100 x 75	RW43G/1	RW43G/3	RW43G/5	RW43G/6	2	105
100 x 100	RW44G/1	RW44G/3	RW44G/5	RW44G/6	2	105

150 X 100 and 150 x 150 available on application.



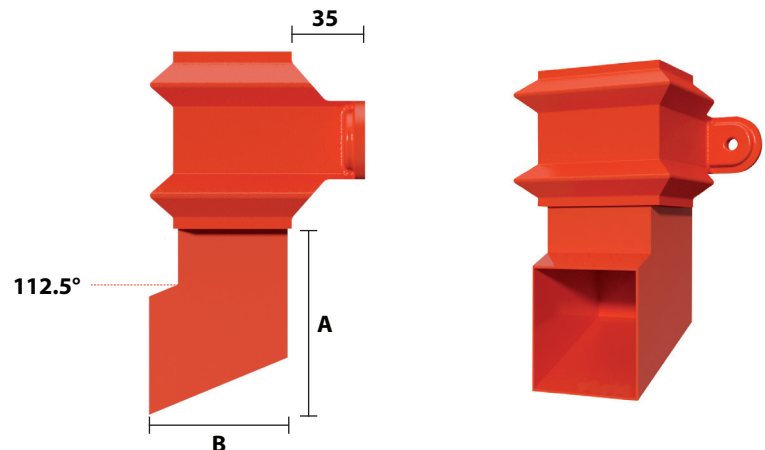
ACCESS PIPES & PLATES

PIPE (mm)	ACCESS PIPE COMPLETE WITH PLATE	ACCESS PLATE	A (mm)
75 x 50	RW32G/8	RW32G/9	100
75 x 75	RW33G/8	RW33G/9	100
100 x 75	RW43G/8	RW43G/9	130
100 x 100	RW44G/8	RW44G/9	130



SHOES

PIPE (mm)	SHOE	A (mm)	B (mm)
75 x 50	RW32G/10	130	80
75 x 75	RW33G/10	155	105
100 x 75	RW43G/10	155	105
100 x 100	RW44G/10	180	130

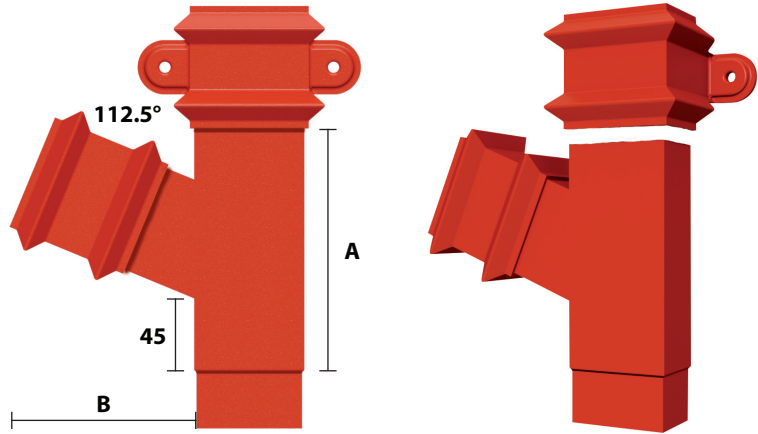


GEORGIAN SQUARE & RECTANGULAR CAST DOWNPIPE SYSTEM

BRANCHES

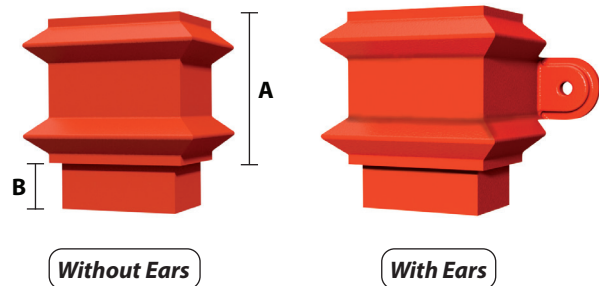
PIPE (mm)	BRANCH	A (mm)	B (mm)
75 x 50	RW32G/11	335	145
75 x 75	RW33G/11	335	170
100 x 75	RW43G/11	360	190
100 x 100	RW44G/11	360	190

Note: Universal branch for left or right hand.



CONNECTORS

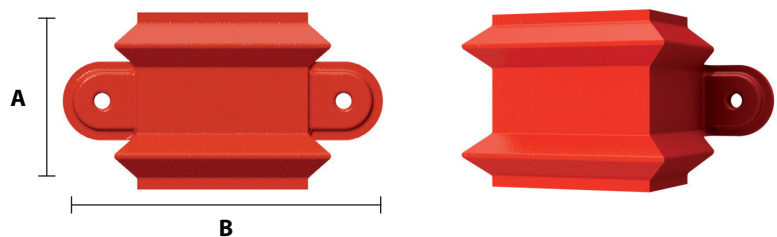
PIPE (mm)	CONNECTOR (NO EARS)	CONNECTOR (EARS)	A (mm)	B (mm)
75 x 50	RW32C/12	RW32G/13	85	50
75 x 75	RW33C/12	RW33G/13	105	50
100 x 75	RW43C/12	RW43G/13	105	50
100 x 100	RW44C/12	RW44G/13	105	50



Ground adaptors available

COLLAR BRACKETS

PIPE (mm)	COLLAR BRACKETS	A (mm)	B (mm)
75 x 50	RW32C/15	85	170
75 x 75	RW33C/15	105	180
100 x 75	RW43C/15	105	205
100 x 100	RW44C/15	105	205

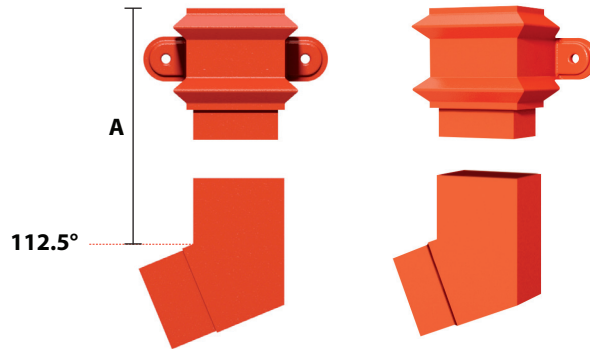


This item is use in place of a bracket i.e. used as bottom bracket 18 no shoe is untillised

GEORGIAN SQUARE & RECTANGULAR CAST DOWNPIPE SYSTEM

UNIVERSAL LEFT AND RIGHT HAND BENDS

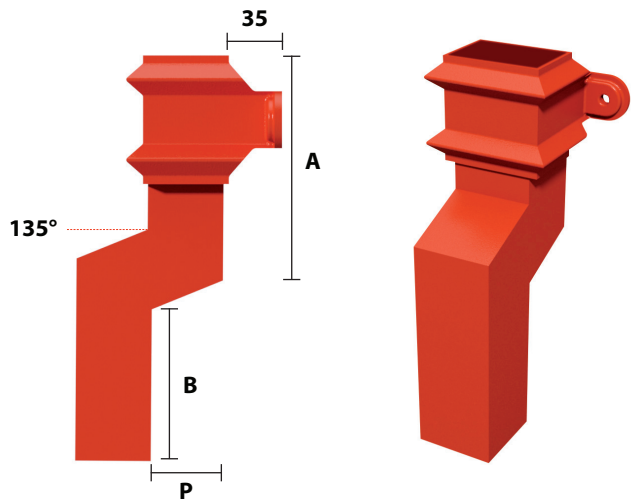
PIPE (mm)	BEND (NO EARS)	BEND (EARS)	A (mm)
75 x 50	RW32G/21	RW32G/21	125
75 x 75	RW33G/21	RW33G/21	125
100 x 75	RW43G/21	RW43G/21	125
100 x 100	RW44G/21	RW44G/21	125



Note: If side bend required in rectangular profile pipe please specify.

PLINTH OFFSETS

PIPE (mm)	OFFSET	A (mm)	B (mm)	P (mm)
75 x 50	RW32G/23	170	200	Please state size required
75 x 75	RW33G/23	195	200	
100 x 75	RW43G/23	195	200	
100 x 100	RW44G/23	210	200	



2 PIECE ADJUSTABLE SWAN NECKS

MAXIMUM PROJECTION OF SWAN NECKS

PIPE (mm)	ONE PIECE STATE SIZE	MAXIMUM PROJECTION OF SWAN NECKS						OTHER	MINIMUM PROJECTION P
		300	450	600	900	1200			
75 x 50	RW32G/25	RW32G/26	RW32G/27	RW32G/28	RW32G/29	RW32G/30	Please specify A, B & P, projection angle RW?/31	90	
75 x 75	RW33G/25	RW33G/26	RW33G/27	RW33G/28	RW33G/29	RW33G/30		115	
100 x 75	RW43G/25	RW43G/26	RW43G/27	RW43G/28	RW43G/29	RW43G/30		115	
100 x 100	RW44G/25	RW44G/26	RW44G/27	RW44G/28	RW44G/29	RW44G/30		130	

One-piece Swan Necks also available

