

Georgian Square & Rectangular Downpipes

Extruded square and rectangular aluminium downpipes with Georgian style.

75 x 50

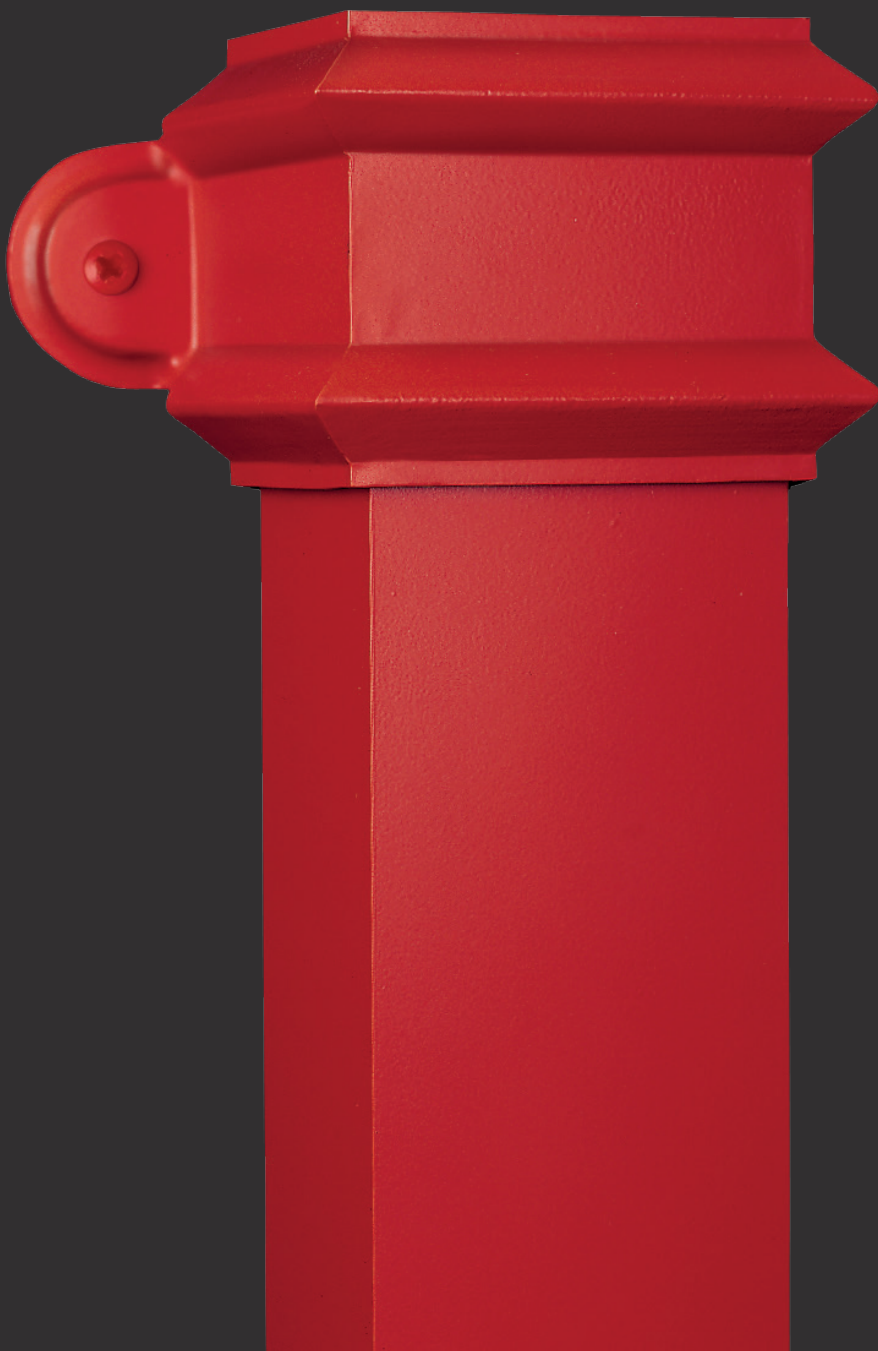
75 x 75

100 x 75

100 x 100

150 x 100

150 x 150

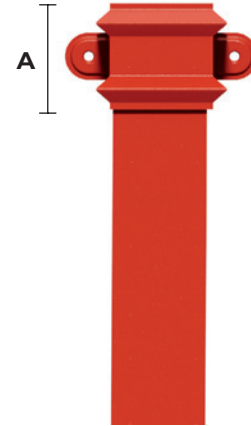


GEORGIAN SQUARE & RECTANGULAR CAST DOWNPIPE SYSTEM

DOWNPIPE LENGTHS

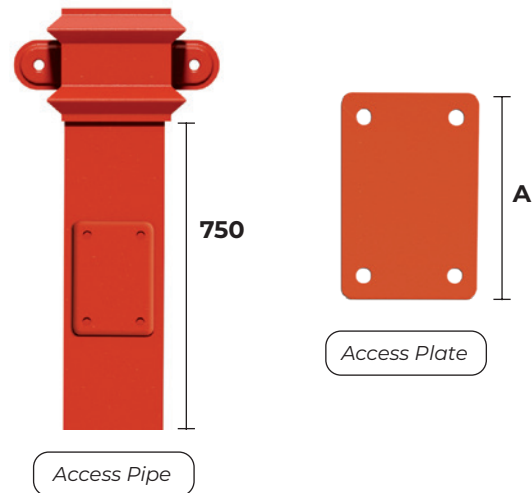
PIPE (MM)	3m	1.8m	OTHER SPECIFY LENGTH	WALL THICKNESS	A (MM)
75 x 50	RW32G/1	RW32G/3	RW32G/6	1.6	85
75 x 75	RW33G/1	RW33G/3	RW33G/6	1.6	105
100 x 75	RW43G/1	RW43G/3	RW43G/6	2	105
100 x 100	RW44G/1	RW44G/3	RW44G/6	2	105

150 x 100 and 150 x 150 available on application.



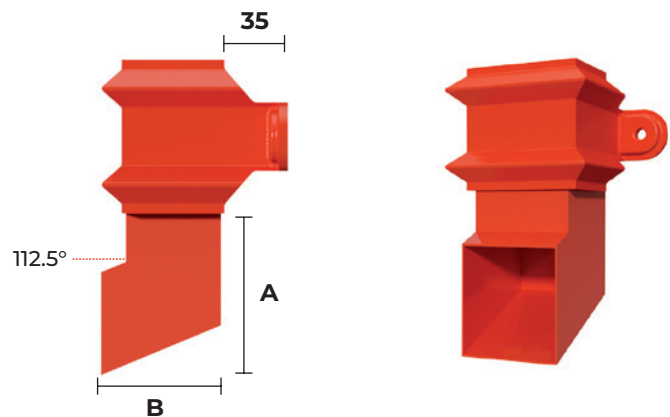
ACCESS PIPES & PLATES

PIPE (MM)	ACCESS PIPE COMPLETE WITH PLATE	ACCESS PLATE	A (MM)
75 x 50	RW32G/8	RW32G/9	100
75 x 75	RW33G/8	RW33G/9	100
100 x 75	RW43G/8	RW43G/9	130
100 x 100	RW44G/8	RW44G/9	130



SHOES

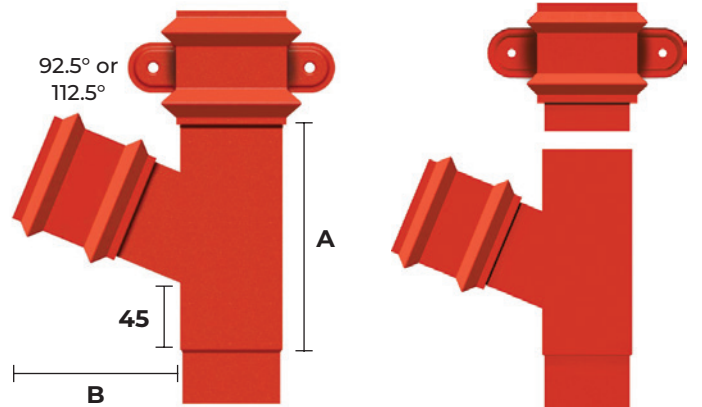
PIPE (MM)	SHOE	A (MM)	B (MM)
75 x 50	RW32G/10	130	80
75 x 75	RW33G/10	155	105
100 x 75	RW43G/10	155	105
100 x 100	RW44G/10	180	130



GEORGIAN SQUARE & RECTANGULAR CAST DOWNPIPE SYSTEM

UNIVERSAL BRANCHES

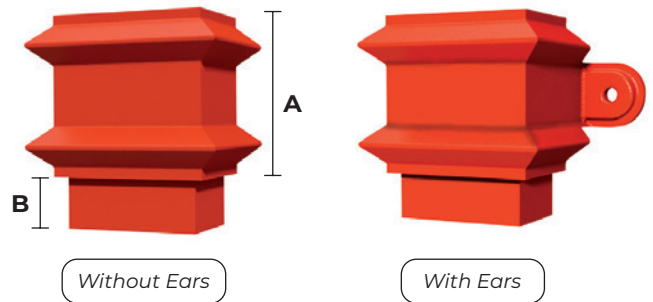
PIPE (MM)	112.5° BRANCH	92.5° BRANCH	A (MM)	B (MM)
75 x 50	RW32G/11	RW32G/51	335	145
75 x 75	RW33G/11	RW33G/51	335	170
100 x 75	RW43G/11	RW43G/51	360	190
100 x 100	RW44G/11	RW44G/51	360	190



112.5° branch shown

CONNECTORS

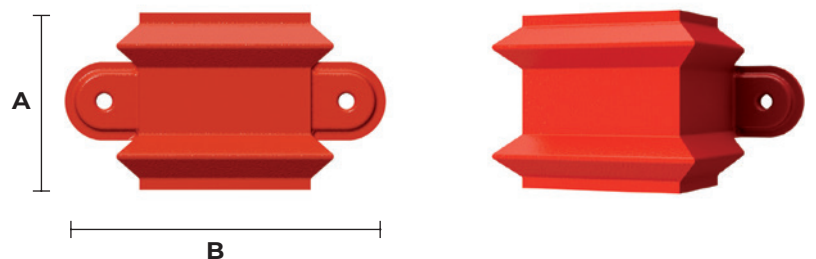
PIPE (MM)	CONNECTOR (NO EARS)	CONNECTOR (EARS)	A (MM)	B (MM)
75 x 50	RW32G/12	RW32G/13	85	50
75 x 75	RW33G/12	RW33G/13	105	50
100 x 75	RW43G/12	RW43G/13	105	50
100 x 100	RW44G/12	RW44G/13	105	50



Ground adaptors available.

COLLAR BRACKETS

PIPE (MM)	COLLAR BRACKETS	A (MM)	B (MM)
75 x 50	RW32G/15	85	170
75 x 75	RW33G/15	105	180
100 x 75	RW43G/15	105	205
100 x 100	RW44G/15	105	205

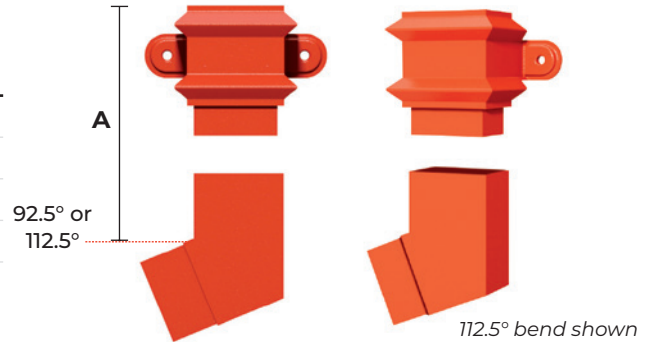


This item is use in place of a bracket i.e. used as bottom bracket 18 no shoe is utilised.

GEORGIAN SQUARE & RECTANGULAR CAST DOWNPIPE SYSTEM

UNIVERSAL BENDS

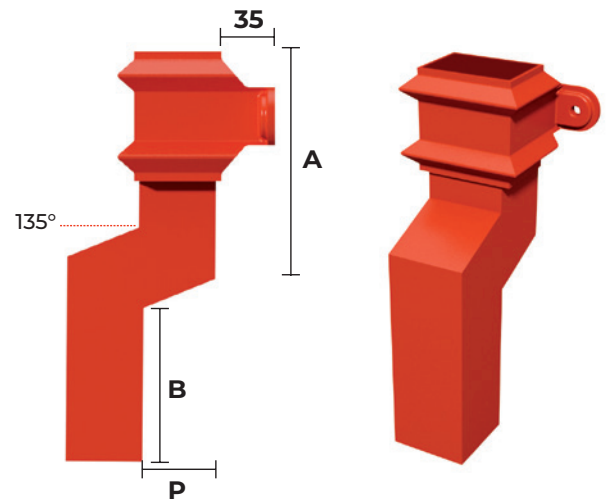
PIPE (MM)	112.5° BEND (NO EARS)	112.5° BEND (EARS)	92.5° BEND (NO EARS)	92.5° BEND (EARS)	A (MM)
75 x 50	RW32G/21	RW32G/22	RW32G/61	RW32G/62	125
75 x 75	RW33G/21	RW33G/22	RW33G/61	RW33G/62	125
100 x 75	RW43G/21	RW43G/22	RW43G/61	RW43G/62	125
100 x 100	RW44G/21	RW44G/22	RW44G/61	RW44G/62	125



Note: If front bend required in rectangular profile pipe please specify.

PLINTH OFFSETS

PIPE (MM)	OFFSET	A (MM)	B (MM)	P (MM)
75 x 50	RW32G/23	170	200	Please state size required
75 x 75	RW33G/23	195	200	
100 x 75	RW43G/23	195	200	
100 x 100	RW44G/23	210	200	



SWAN NECKS

PIPE (MM)	ONE PIECE STATE SIZE	MAXIMUM PROJECTION OF SWAN NECKS						MINIMUM PROJECTION P
		300	450	600	900	1200	OTHER	
112.5° ANGLE								
75 x 50	RW32G/25	RW32G/26	RW32G/27	RW32G/28	RW32G/29	RW32G/30	Please specify A, B & P, projection angle RW?/31	90
75 x 75	RW33G/25	RW33G/26	RW33G/27	RW33G/28	RW33G/29	RW33G/30		115
100 x 75	RW43G/25	RW43G/26	RW43G/27	RW43G/28	RW43G/29	RW43G/30		115
100 x 100	RW44G/25	RW44G/26	RW44G/27	RW44G/28	RW44G/29	RW44G/30		130
92.5° ANGLE								
75 x 50	RW32G/65	RW32G/66	RW32G/67	RW32G/68	RW32G/69	RW32G/70	Please specify A, B & P, projection angle RW?/71	90
75 x 75	RW33G/65	RW33G/66	RW33G/67	RW33G/68	RW33G/69	RW33G/70		115
100 x 75	RW43G/65	RW43G/66	RW43G/67	RW43G/68	RW43G/69	RW43G/70		115
100 x 100	RW44G/65	RW44G/66	RW44G/67	RW44G/68	RW44G/69	RW44G/70		130

