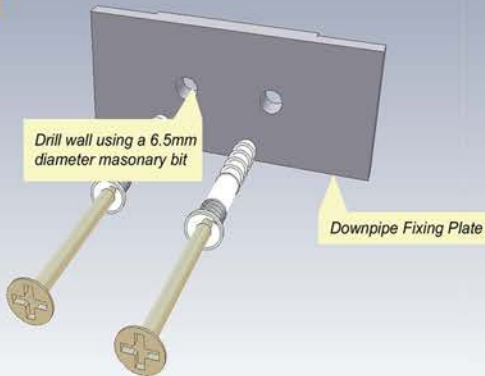


High Security Downpipe Installation Guide

fig 1



No 30 x 6mm Stainless steel countersunk "Hits"

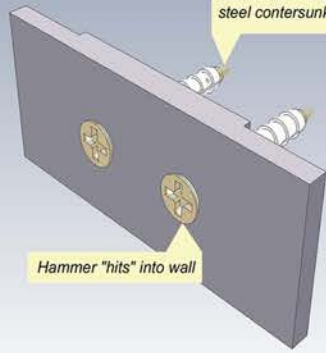
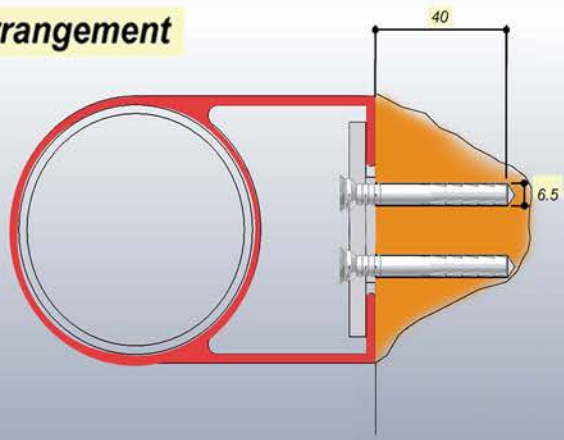


fig 2

General Arrangement



Installation

1. Offer Fixing Plate up to wall, mark hole positions and drill two 6.5mm Diameter holes using a masonry bit, (fig1) (Bracket should be positioned approximately 150mm - 200mm above ground level).
2. To fix Plate Insert No 30 x 6mm Stainless steel countersunk "Hits" (Supplied) and hammer into wall, (fig2)
3. Offer up High Security Down pipe up to fixed Plate orientating the downpipe spigot to face downwards, (fig3)
4. Slide High Security Down pipe behind the fixed Plate and position as required, (fig4) (Check pipe bracket is secure before proceeding to next stage)
5. Using a 6.5mm diameter steel drill bit, Drill through down pipe as shown (Approximately 6mm down from top edge). Ensure down pipe is set vertical and mark hole positions. Drill marked holes using a 6.5mm diameter masonry bit. (fig5)
6. Insert No 30 x 6mm Stainless steel countersunk "Hits" (Supplied) into High Security Down pipe holes and hammer into wall. (fig6)
7. Offer up the next length of Down pipe, inserting its spigot into the fixed section of High Security Down pipe, and push downwards until seated flush. (fig7)
9. Repeat steps 5 onwards for each additional section of High Security Down pipe to be installed.
10. Terminate the High Security Downpipe stack as required to enable a connection to be made to the gutter or swan neck depending on the individuals rain water disposal system.

If you require any further information, please contact our technical department :

fig 3



fig 4

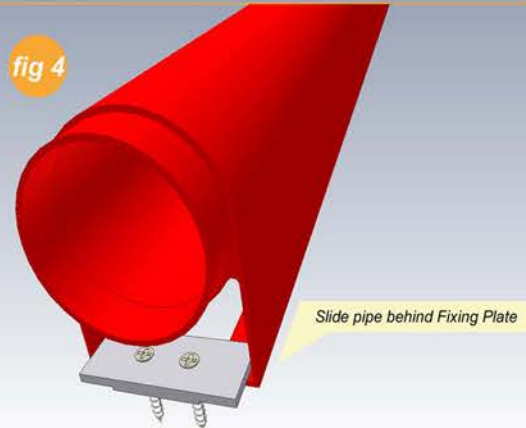


fig 5



fig 6



No 30 x 6mm Stainless steel countersunk "Hits"

fig 7



Site Work

All Guttercrest products are supplied in a protective plastic packaging, preventing components from weather, damage & dust during handling and storage. They should be handled with care and stored on level ground away from site personnel and traffic.

Normal metal working tools can be used for cutting and drilling downpipes. Ensure ends of downpipe are cut square always debure any sharp edges. Use Guttercrest enamel paint sparingly to touch up any exposed edges.

After Installation of High Security Downpipes, the system should be visually inspected, paying particular attention to all joints.

If you require any further information, please contact our technical department :