

# **GUTTERCREST**

## **ALUMINIUM**

### **MOULDED OGEE SMALL GUTTERS**



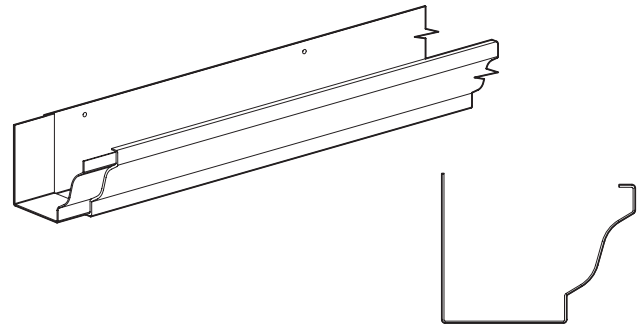
### **PRICE LIST**

## PRICE LIST

### MOULDED OGEE GUTTER SYSTEM - SMALL SIZES

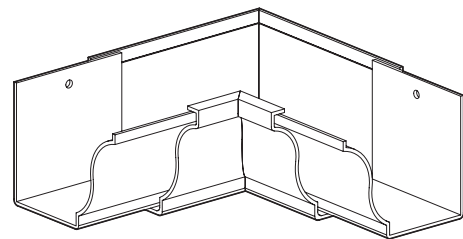
#### STANDARD GUTTER LENGTHS

Gutter (mm)	100 x 75	125 x 100	150 x 100
3.0mtr	MOG1/1	MOG2/1	MOG3/1
MILL	50.47	69.44	88.05
PPC	56.79	77.69	96.86
1.8mtr	MOG1/2	MOG2/2	MOG3/2
MILL	33.29	45.37	56.92
PPC	37.08	50.32	62.21

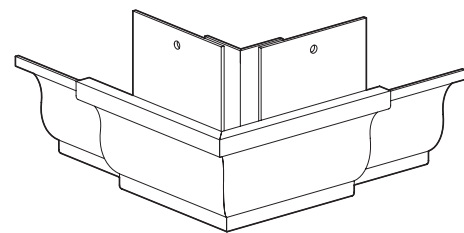


#### ANGLES - INTERNAL & EXTERNAL

Gutter (mm)	100 x 75	125 x 100	150 x 100
90° External	MOG1/3	MOG2/3	MOG3/3
MILL	20.18	23.89	35.05
PPC	20.79	24.76	36.06
90° Internal	MOG1/4	MOG2/4	MOG3/4
MILL	20.18	23.89	35.05
PPC	20.79	24.76	36.06
135° External	MOG1/5	MOG2/5	MOG3/5
MILL	20.03	22.41	32.76
PPC	20.53	23.08	33.51
135° Internal	MOG1/6	MOG2/6	MOG3/6
MILL	20.03	22.41	32.76
PPC	20.53	23.08	33.51
Irregular External	MOG1/7	MOG2/7	MOG3/7
MILL	37.61	47.94	62.89
PPC	38.25	48.91	64.06
Irregular Internal	MOG1/8	MOG2/8	MOG3/8
MILL	37.61	47.94	62.89
PPC	38.25	48.91	64.06



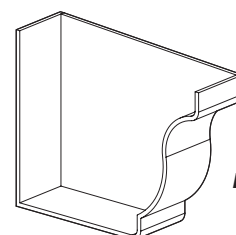
Internal Angle



External Angle

#### STOP ENDS

Gutter (mm)	100 x 75	125 x 100	150 x 100
Stop End Right Hand	MOG1/10	MOG2/10	MOG3/10
MILL	4.39	5.14	5.84
PPC	4.89	5.64	6.34
Stop End Left Hand	MOG1/11	MOG2/11	MOG3/11
MILL	4.39	5.14	5.84
PPC	4.89	5.64	6.34



Right Hand shown

Please Note: These are Internal Stop Ends

## PRICE LIST

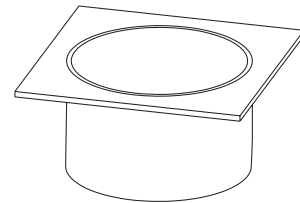
### MOULDED OGEE GUTTER SYSTEM - SMALL SIZES

#### SLEEVE OUTLETS - ROUND

Gutter (mm)	100 x 75	125 x 100	150 x 100
63mm Ø	MOG1/SO13	MOG2/SO13	MOG3/SO13
MILL	-	6.70	6.70
PPC	-	7.20	7.20
75mm Ø	MOG1/SO14	MOG2/SO14	MOG3/SO14
MILL	-	-	6.70
PPC	-	-	7.20
100mm Ø	MOG1/SO15	MOG2/SO15	MOG3/SO15
MILL	-	-	-
PPC	-	-	-
125mm Ø	MOG1/SO16	MOG2/SO16	MOG3/SO16
MILL	-	-	-
PPC	-	-	-

**Please Note**

Sleeve Outlets can be used in place of Running Outlets giving increased flexibility and cost efficiency.

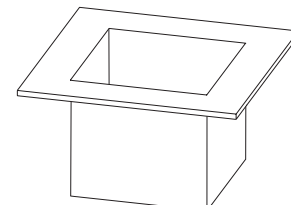


#### SLEEVE OUTLETS - SQUARE & RECTANGULAR

Gutter (mm)	100 x 75	125 x 100	150 x 100
75 x 50mm	MOG1/SO18	MOG2/SO18	MOG3/SO18
MILL	-	6.70	6.70
PPC	-	7.20	7.20
75 x 75mm	MOG1/SO19	MOG2/SO19	MOG3/SO19
MILL	-	-	6.70
PPC	-	-	7.20
100 x 75mm	MOG1/SO20	MOG2/SO20	MOG3/SO20
MILL	-	-	6.70
PPC	-	-	7.20
100 x 100mm	MOG1/SO21	MOG2/SO21	MOG3/SO21
MILL	-	-	-
PPC	-	-	-
150 x 100mm	MOG1/SO22	MOG2/SO22	MOG3/SO22
MILL	-	-	-
PPC	-	-	-

**Please Note**

Sleeve Outlets can be used in place of Running Outlets giving increased flexibility and cost efficiency.



## PRICE LIST

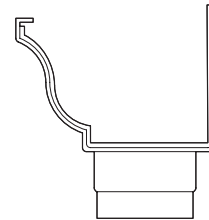
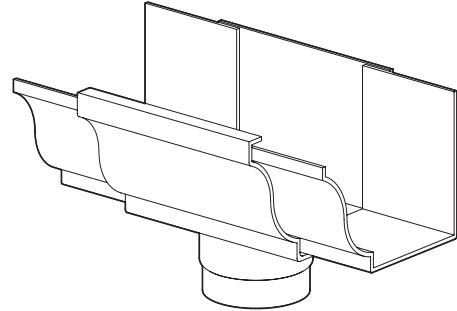
### MOULDED OGEE GUTTER SYSTEM - SMALL SIZES

#### RUNNING OUTLETS - ROUND

Gutter (mm)	100 x 75	125 x 100	150 x 100
63mm Ø	MOG1/13	MOG2/13	MOG3/13
MILL	15.42	17.62	20.06
PPC	15.95	18.31	20.80
75mm Ø	MOG1/14	MOG2/14	MOG3/14
MILL	17.99	22.73	22.86
PPC	18.52	23.42	23.60
100mm Ø	MOG1/15	MOG2/15	MOG3/15
MILL	-	23.85	26.26
PPC	-	24.54	27.00
125mm Ø	MOG1/16	MOG2/16	MOG3/16
MILL	-	-	35.75
PPC	-	-	36.64

**Please Note**

Sleeve Outlets can be used in place of Running Outlets giving increased flexibility and cost efficiency.

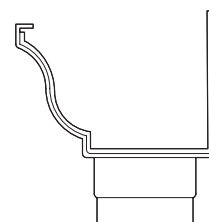
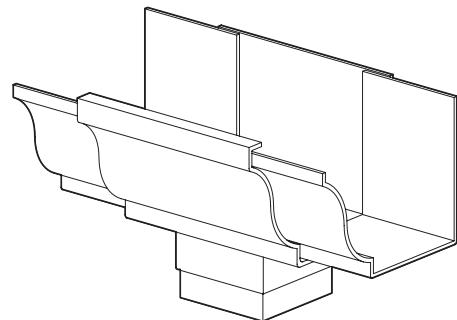


#### RUNNING OUTLETS - SQUARE & RECTANGULAR

Gutter (mm)	100 x 75	125 x 100	150 x 100
75 x 50mm	MOG1/18	MOG2/18	MOG3/18
MILL	18.89	21.24	24.08
PPC	19.42	21.93	24.82
75 x 75mm	MOG1/19	MOG2/19	MOG3/19
MILL	21.60	23.95	24.56
PPC	22.13	24.64	25.30
100 x 75mm	MOG1/20	MOG2/20	MOG3/20
MILL	22.56	24.99	26.31
PPC	23.09	25.68	27.05
100 x 100mm	MOG1/21	MOG2/21	MOG3/21
MILL	-	25.28	28.67
PPC	-	25.97	29.41
150 x 100mm	MOG1/22	MOG2/22	MOG3/22
MILL	-	30.13	33.10
PPC	-	30.96	33.99

**Please Note**

Sleeve Outlets can be used in place of Running Outlets giving increased flexibility and cost efficiency.

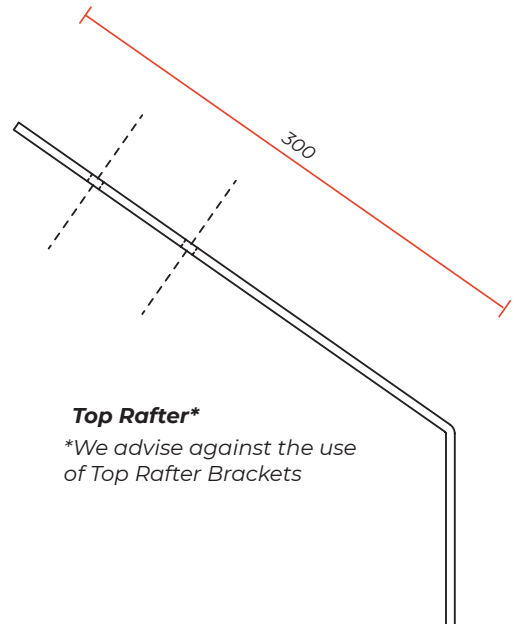
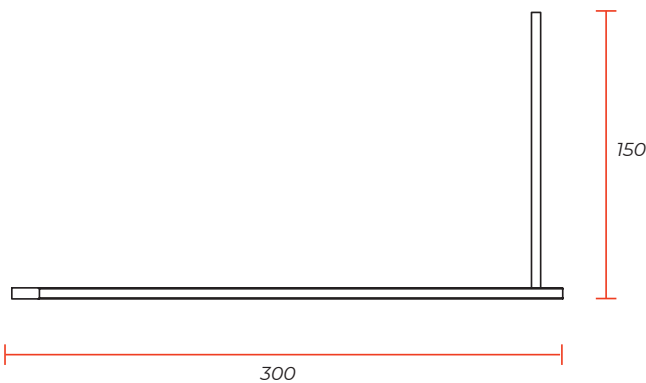
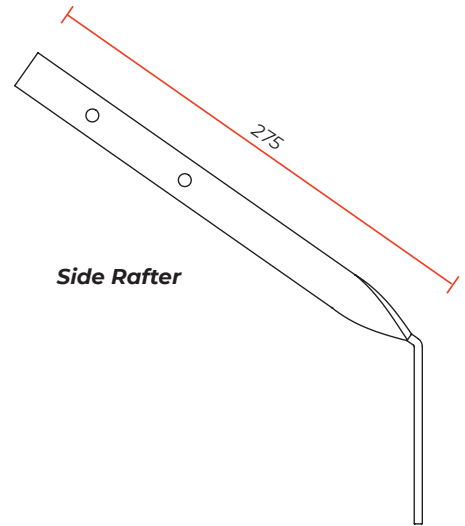


## PRICE LIST

### MOULDED OGEE GUTTER SYSTEM - SMALL SIZES

#### RAFTER & MORTAR BRACKETS

Gutter (mm)	100 x 75	125 x 100	150 x 100
Side Rafter	MOG1/29	MOG2/29	MOG3/29
MILL	5.34	5.34	5.34
PPC	5.89	5.89	5.89
Top Rafter	MOG1/30	MOG2/30	MOG3/30
MILL	4.63	4.63	4.63
PPC	5.18	5.18	5.18
Mortar	MOG1/31	MOG2/31	MOG3/31
MILL	7.02	7.02	7.02
PPC	7.57	7.57	7.57



## PRICE LIST

### FIXINGS & SEALANTS

Code	Qty	Description	Price
GM1	25	Gutter Fixing 38 x 5.5 A2 Stainless Steel	4.42
GM2	100	Gutter Fixing 38 x 5.5 A2 Stainless Steel	12.00
GM3	200	Gutter Fixing 38 x 5.5 A2 Stainless Steel	22.40



GM1 - GM5

Code	Qty	Description	Price
GM201	25	4.8 x 14.7 All Aluminium sealed Rivet	3.13
GM202	100	4.8 x 14.7 All Aluminium sealed Rivet	12.03
GM203	200	4.8 x 14.7 All Aluminium sealed Rivet	23.94



GM201 - GM203

Code	Qty	Description	Price
GM610	25	6.3mm STRUCTURAL Aluminium Rivet	10.66
GM620	100	6.3mm STRUCTURAL Aluminium Rivet	37.44



GM610 - GM620

Code	Qty	Description	Price
GM20	25	Downpipe Fixing 6 x 50 A2 Stainless Steel	9.05
GM21	100	Downpipe Fixing 6 x 50 A2 Stainless Steel	31.17



GM20 - GM21

Code	Qty	Description	Price
GM30	1	380ml Cartridge Silicone Sealant - Grey	11.07
GM32	1	1no 12mtr Reel Butyl Tape 12mm x 3mm	4.67
GM34	1	1 Litre Sealant Cleaner	10.96
GM40	1	0.5ltr Touch Up Paint - Colour to match order	23.35
GM50	1	1no Drill Bit 4.8mm	2.10
GM51	1	1no Drill Bit 6.4mm	3.32



GM30



GM32



GM50 - GM60

Code	Qty	Description	Price
GM910	1	Standard Rainwater Rivet Gun	19.52
GM920	1	Professional Rivet Gun - Interchangeable collets for rainwater and structural rivets	111.10



GM910



GM920

# PRICE LIST

## CARRIAGE CHARGES

### GUTTERS, DOWNPIPES & HOPPERS

TOTAL NET ORDER VALUE (EXCLUDING VAT)		PRICE
£0 - £99	BOXED UP TO 10KG	£15.00 Min Charge
£0 - £99	3M LENGTHS UP TO 10KGS	£30.00
£100 - £624		£40.00
£625 - £1249		£55.00
£1250 PLUS		FREE DELIVERY

Delivery Exclusions Apply: Please see the Charges section below

### COPING, FASCIAS & SOFFITS

TOTAL NET ORDER VALUE (EXCLUDING VAT)	PRICE
£0 - £150	£40.00
£151 - £1249	£95.00
£1250 PLUS	FREE DELIVERY

Delivery Exclusions Apply: Please see the Charges section below

### CHARGES

With a fleet of Guttercrest vehicles and outside couriers, we deliver all our aluminium products to your local builders merchant or direct to site.

#### SCOTTISH MAINLAND

Standard carriage charges apply on Postcode areas: DG, EH, G, KA, KY, TD

ALSO TO INCLUDE: DD1 - DD7, FK1 - FK7, FK9 - FK15, FK8 STERLING ONLY (Rest of FK8 will be price on application), KY1 - KY16, PA1 - PA19, PH1 - PH4, PH12 - PH14

All other Scottish Mainland, carriage price on application.

#### NON MAINLAND

For delivery to Northern Ireland, The Republic of Ireland and all offshore Islands, carriage Price on application.

#### EXPORT

Price on application.

Tel: +44 (0)1691 663300

Email: [info@guttercrest.co.uk](mailto:info@guttercrest.co.uk)

VAT will be charged at the appropriate rate.

