

GUTTERCREST

ALUMINIUM

RAKED BOX GUTTERS



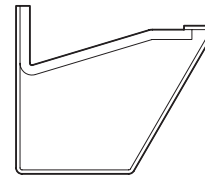
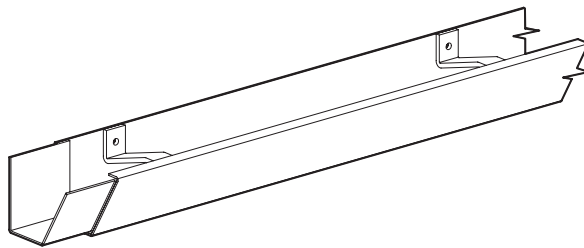
PRICE LIST

PRICE LIST

RAKED BOX GUTTER SYSTEM

STANDARD GUTTER LENGTHS

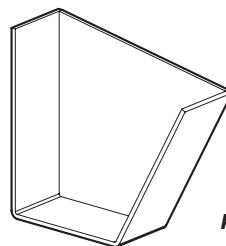
Gutter (mm)	100 x 75	100 x 100	125 x 100	150 x 100	150 x 150	200 x 150	200 x 200	300 x 200
3.0mtr	RBX1/1	RBX2/1	RBX3/1	RBX4/1	RBX5/1	RBX6/1	RBX7/1	RBX8/1
MILL	67.13	77.40	79.99	81.25	99.01	120.93	127.78	160.21
PPC	73.47	85.00	88.11	89.99	110.55	133.10	142.50	177.46
1.5mtr	RBX1/2	RBX2/2	RBX3/2	RBX4/2	RBX5/2	RBX6/2	RBX7/2	RBX8/2
MILL	42.37	47.32	53.74	54.52	64.94	77.23	85.29	104.58
PPC	45.54	51.12	57.80	58.89	70.53	83.32	92.66	113.21



STOP ENDS

Gutter (mm)	100 x 75	100 x 100	125 x 100	150 x 100	150 x 150	200 x 150	200 x 200	300 x 200
Stop End Right Hand	RBX1/10	RBX2/10	RBX3/10	RBX4/10	RBX5/10	RBX6/10	RBX7/10	RBX8/10
MILL	5.19	5.38	5.54	5.63	6.72	8.10	8.78	10.50
PPC	5.69	5.88	6.04	6.13	7.22	8.60	9.28	11.18
Stop End Left Hand	RBX1/11	RBX2/11	RBX3/11	RBX4/11	RBX5/11	RBX6/11	RBX7/11	RBX8/11
MILL	5.19	5.38	5.54	5.63	6.72	8.10	8.78	10.50
PPC	5.69	5.88	6.04	6.13	7.22	8.60	9.28	11.18

NOTE: THESE ARE INTERNAL STOP ENDS



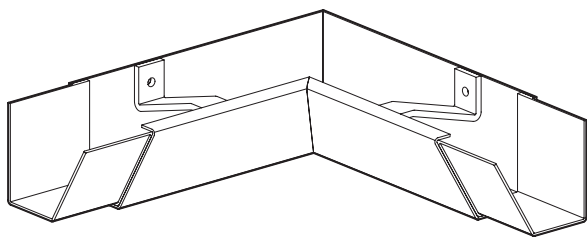
Right Hand shown

PRICE LIST

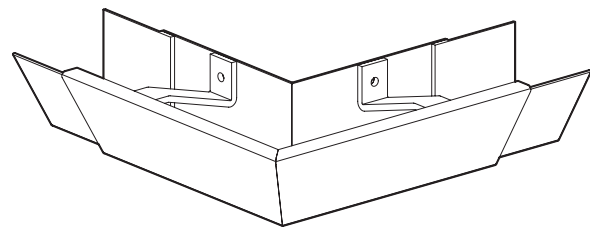
RAKED BOX GUTTER SYSTEM

ANGLES INTERNAL & EXTERNAL

Gutter (mm)	100 x 75	100 x 100	125 x 100	150 x 100	150 x 150	200 x 150	200 x 200	300 x 200
90° External	RBX1/3	RBX2/3	RBX3/3	RBX4/3	RBX5/3	RBX6/3	RBX7/3	RBX8/3
MILL	35.02	37.75	40.00	43.19	50.44	59.93	65.68	77.87
PPC	36.29	39.25	41.82	45.23	53.02	63.03	69.37	82.55
90° Internal	RBX1/4	RBX2/4	RBX3/4	RBX4/4	RBX5/4	RBX6/4	RBX7/4	RBX8/4
MILL	35.02	37.75	39.97	43.19	50.44	59.93	65.68	77.87
PPC	36.29	39.25	41.82	45.23	53.02	63.03	69.37	82.55
135° External	RBX1/5	RBX2/5	RBX3/5	RBX4/5	RBX5/5	RBX6/5	RBX7/5	RBX8/5
MILL	33.73	35.98	39.89	40.81	47.27	59.59	61.55	72.92
PPC	34.86	37.31	41.51	42.62	49.56	62.14	64.58	76.82
135° Internal	RBX1/6	RBX2/6	RBX3/6	RBX4/6	RBX5/6	RBX6/6	RBX7/6	RBX8/6
MILL	33.73	35.98	39.89	40.81	47.27	59.59	61.55	72.92
PPC	34.86	37.31	41.51	42.62	49.56	62.14	64.58	76.82
Irregular External	RBX1/7	RBX2/7	RBX3/7	RBX4/7	RBX5/7	RBX6/7	RBX7/7	RBX8/7
MILL	62.62	66.93	71.47	79.09	93.52	120.57	119.55	140.42
PPC	64.33	68.95	73.77	81.71	96.85	124.27	123.95	145.85
Irregular Internal	RBX1/8	RBX2/8	RBX3/8	RBX4/8	RBX5/8	RBX6/8	RBX7/8	RBX8/8
MILL	62.62	66.94	71.47	79.09	93.52	120.57	119.55	140.42
PPC	64.33	68.96	73.77	81.71	96.85	124.27	123.95	145.85



Internal Angle



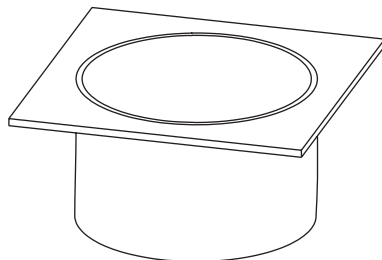
External Angle

PRICE LIST

RAKED BOX GUTTER SYSTEM

SLEEVE OUTLETS - ROUND

Gutter (mm)	100 x 75	100 x 100	125 x 100	150 x 100	150 x 150	200 x 150	200 x 200	300 x 200
63mm Ø	RBX1/SO13	RBX2/SO13	RBX3/SO13	RBX4/SO13	RBX5/SO13	RBX6/SO13	RBX7/SO13	RBX8/SO13
MILL	-	-	6.70	6.70	6.70	6.70	6.70	6.70
PPC	-	-	7.20	7.20	7.20	7.20	7.20	7.20
75mm Ø	RBX1/SO14	RBX2/SO14	RBX3/SO14	RBX4/SO14	RBX5/SO14	RBX6/SO14	RBX7/SO14	RBX8/SO14
MILL	-	-	-	6.70	6.70	6.70	6.70	6.70
PPC	-	-	-	7.20	7.20	7.20	7.20	7.20
100mm Ø	RBX1/SO15	RBX2/SO15	RBX3/SO15	RBX4/SO15	RBX5/SO15	RBX6/SO15	RBX7/SO15	RBX8/SO15
MILL	-	-	-	-	-	8.00	-	8.00
PPC	-	-	-	-	-	8.50	-	8.50
125mm Ø	RBX1/SO16	RBX2/SO16	RBX3/SO16	RBX4/SO16	RBX5/SO16	RBX6/SO16	RBX7/SO16	RBX8/SO16
MILL	-	-	-	-	-	-	-	8.00
PPC	-	-	-	-	-	-	-	8.50
150mm Ø	RBX1/SO17	RBX2/SO17	RBX3/SO17	RBX4/SO17	RBX5/SO17	RBX6/SO17	RBX7/SO17	RBX8/SO17
MILL	-	-	-	-	-	-	-	11.50
PPC	-	-	-	-	-	-	-	12.00



Please Note

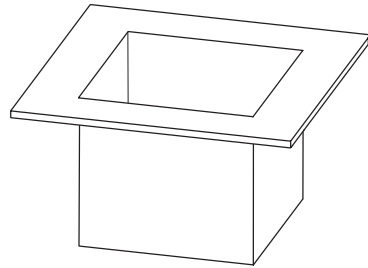
Sleeve Outlets can be used in place of Running Outlets giving increased flexibility and cost efficiency.

PRICE LIST

RAKED BOX GUTTER SYSTEM

SLEEVE OUTLETS - SQUARE & RECTANGULAR

Gutter (mm)	100 x 75	100 x 100	125 x 100	150 x 100	150 x 150	200 x 150	200 x 200	300 x 200
75 x 50mm	RBX1/SO18	RBX2/SO18	RBX3/SO18	RBX4/SO18	RBX5/SO18	RBX6/SO18	RBX7/SO18	RBX8/SO18
MILL	-	-	6.70	6.70	6.70	6.70	6.70	6.70
PPC	-	-	7.20	7.20	7.20	7.20	7.20	7.20
75 x 75mm	RBX1/SO19	RBX2/SO19	RBX3/SO19	RBX4/SO19	RBX5/SO19	RBX6/SO19	RBX7/SO19	RBX8/SO19
MILL	-	-	-	6.70	6.70	6.70	6.70	6.70
PPC	-	-	-	7.20	7.20	7.20	7.20	7.20
100 x 75mm	RBX1/SO20	RBX2/SO20	RBX3/SO20	RBX4/SO20	RBX5/SO20	RBX6/SO20	RBX7/SO20	RBX8/SO20
MILL	-	-	-	6.70	6.70	6.70	6.70	6.70
PPC	-	-	-	7.20	7.20	7.20	7.20	7.20
100 x 100mm	RBX1/SO21	RBX2/SO21	RBX3/SO21	RBX4/SO21	RBX5/SO21	RBX6/SO21	RBX7/SO21	RBX8/SO21
MILL	-	-	-	8.00	-	8.00	8.00	8.00
PPC	-	-	-	8.50	-	8.50	8.50	8.50
100 x 100mm	RBX1/SO22	RBX2/SO22	RBX3/SO22	RBX4/SO22	RBX5/SO22	RBX6/SO22	RBX7/SO22	RBX8/SO22
MILL	-	-	-	-	-	-	-	8.00
PPC	-	-	-	-	-	-	-	8.50



Please Note

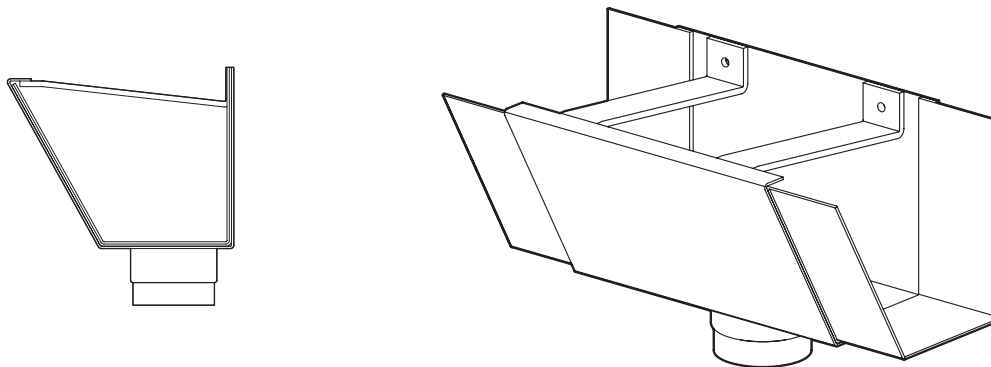
Sleeve Outlets can be used in place of Running Outlets giving increased flexibility and cost efficiency.

PRICE LIST

RAKED BOX GUTTER SYSTEM

RUNNING OUTLETS - ROUND

Gutter (mm)	100 x 75	100 x 100	125 x 100	150 x 100	150 x 150	200 x 150	200 x 200	300 x 200
63mm Ø	RBX1/13	RBX2/13	RBX3/13	RBX4/13	RBX5/13	RBX6/13	RBX7/13	RBX8/13
MILL	37.79	38.96	40.55	41.80	46.81	54.81	59.36	68.60
PPC	38.70	40.03	41.69	43.02	48.35	56.53	61.40	71.01
75mm Ø	RBX1/14	RBX2/14	RBX3/14	RBX4/14	RBX5/14	RBX6/14	RBX7/14	RBX8/14
MILL	37.90	39.08	40.67	42.31	45.91	55.32	59.87	68.72
PPC	38.81	40.15	41.81	43.53	47.45	57.04	61.91	71.13
100mm Ø	RBX1/15	RBX2/15	RBX3/15	RBX4/15	RBX5/15	RBX6/15	RBX7/15	RBX8/15
MILL	-	-	40.28	41.92	46.93	54.93	59.48	68.33
PPC	-	-	41.42	43.14	48.47	56.65	61.52	70.74
125mm Ø	RBX1/16	RBX2/16	RBX3/16	RBX4/16	RBX5/16	RBX6/16	RBX7/16	RBX8/16
MILL	-	-	-	44.78	50.17	60.37	63.14	72.38
PPC	-	-	-	46.00	51.71	62.09	65.18	74.79
150mm Ø	RBX1/17	RBX2/17	RBX3/17	RBX4/17	RBX5/17	RBX6/17	RBX7/17	RBX8/17
MILL	-	-	-	-	-	61.04	63.81	73.05
PPC	-	-	-	-	-	62.76	65.85	75.46



Please Note

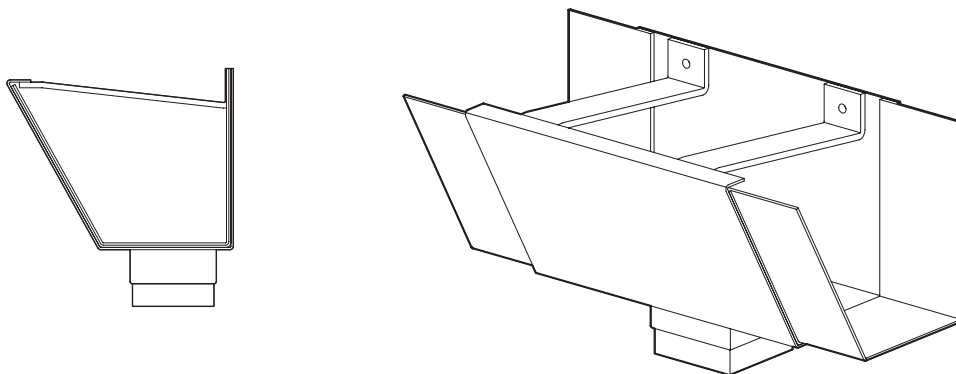
Sleeve Outlets can be used in place of Running Outlets giving increased flexibility and cost efficiency.

PRICE LIST

RAKED BOX GUTTER SYSTEM

RUNNING OUTLETS - SQUARE & RECTANGULAR

Gutter (mm)	100 x 75	100 x 100	125 x 100	150 x 100	150 x 150	200 x 150	200 x 200	300 x 200
75 x 50mm	RBX1/18	RBX2/18	RBX3/18	RBX4/18	RBX5/18	RBX6/18	RBX7/18	RBX8/18
MILL	37.82	38.99	40.53	41.78	46.40	54.40	58.95	67.80
PPC	38.73	40.06	41.67	43.00	47.94	56.12	60.99	70.21
75 x 75mm	RBX1/19	RBX2/19	RBX3/19	RBX4/19	RBX5/19	RBX6/19	RBX7/19	RBX8/19
MILL	37.92	39.10	40.64	41.89	46.90	54.89	59.45	68.29
PPC	38.83	40.17	41.78	43.11	48.44	56.61	61.49	70.70
100 x 75mm	RBX1/20	RBX2/20	RBX3/20	RBX4/20	RBX5/20	RBX6/20	RBX7/20	RBX8/20
MILL	38.21	39.38	40.90	42.43	48.24	56.24	60.79	69.64
PPC	39.12	40.45	42.04	43.65	49.78	57.96	62.83	72.05
100 x 100mm	RBX1/21	RBX2/21	RBX3/21	RBX4/21	RBX5/21	RBX6/21	RBX7/21	RBX8/21
MILL	-	-	41.83	43.36	48.37	56.76	61.31	70.16
PPC	-	-	42.97	44.58	49.91	58.48	63.35	72.57
150 x 100mm	RBX1/22	RBX2/22	RBX3/22	RBX4/22	RBX5/22	RBX6/22	RBX7/22	RBX8/22
MILL	-	-	44.25	45.40	51.41	60.92	63.90	73.89
PPC	-	-	45.54	46.78	53.16	62.87	66.22	76.63
150 x 150mm	RBX1/23	RBX2/23	RBX3/23	RBX4/23	RBX5/23	RBX6/23	RBX7/23	RBX8/23
MILL	-	-	-	-	-	62.66	65.38	75.63
PPC	-	-	-	-	-	64.61	67.70	78.37



Please Note

Sleeve Outlets can be used in place of Running Outlets giving increased flexibility and cost efficiency.