

Round Downpipes

Extruded round aluminium downpipes with neat plain collars and pipe clips.
Also available as a flush jointed system. (Internal Spigots)



ROUND DOWNPIPE SYSTEM

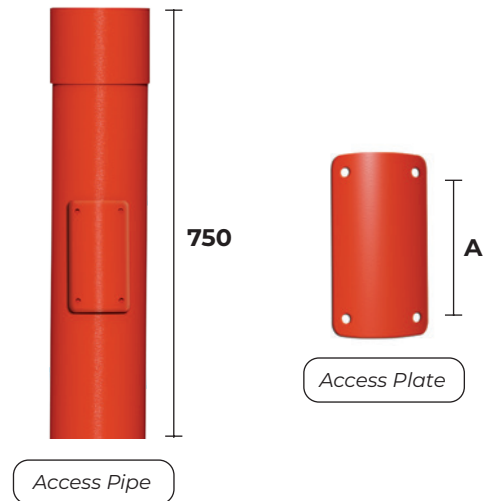
DOWNPIPE LENGTHS

PIPE (MM)	3m	1.5m	OTHER SPECIFY LENGTH	WALL THICKNESS	A (MM)
63	RW1/1	RW1/4	RW1/6	1.6	50
75	RW2/1	RW2/4	RW2/6	1.6	50
100	RW3/1	RW3/4	RW3/6	1.6	60
125	RW4/1	RW4/4	RW4/6	2	70
150	RW5/1	RW5/4	RW5/6	2.5	80



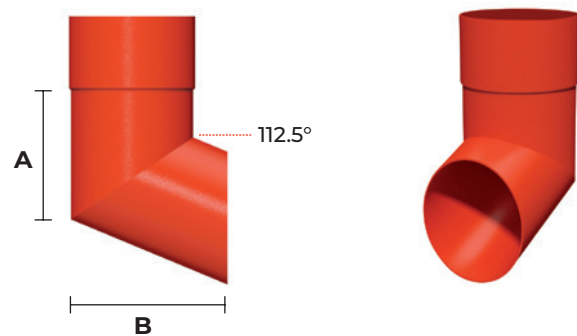
ACCESS PIPES & PLATES

PIPE (MM)	ACCESS PIPE COMPLETE WITH PLATE	ACCESS PLATE	A (MM)
63	RW1/8	RW1/9	100
75	RW2/8	RW2/9	100
100	RW3/8	RW3/9	130
125	RW4/8	RW4/9	165
150	RW5/8	RW5/9	200



SHOES

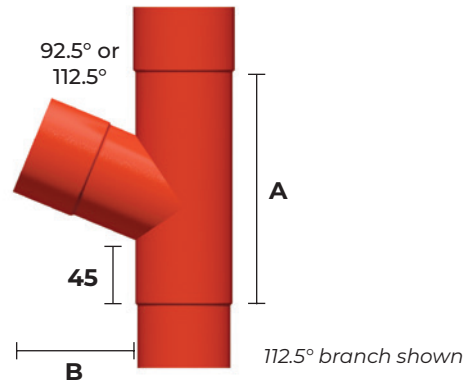
PIPE (MM)	SHOE	A (MM)	B (MM)
63	RW1/10	140	95
75	RW2/10	155	105
100	RW3/10	180	130
125	RW4/10	210	155
150	RW5/10	235	180



ROUND DOWNPIPE SYSTEM

UNIVERSAL BRANCHES

PIPE (MM)	112.5° BRANCH	92.5° BRANCH	A (MM)	B (MM)
63	RW1/11	RW1/51	320	115
75	RW2/11	RW2/51	335	120
100	RW3/11	RW3/51	360	140
125	RW4/11	RW4/51	390	155
150	RW5/11	RW5/51	410	175



CONNECTORS

PIPE (MM)	CONNECTOR	A (MM)	B (MM)
63	RW1/12	50	50
75	RW2/12	50	50
100	RW3/12	60	50
125	RW4/12	70	60
150	RW5/12	80	60



Ground adaptors available

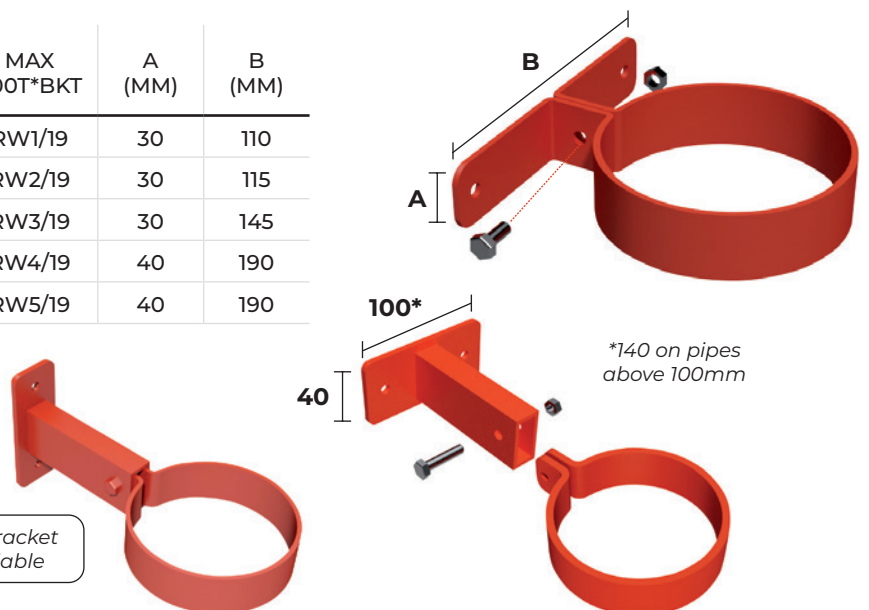
PIPE CLIPS

PIPE (MM)	PIPE CLIP	MAX 100T*BKT	MAX 200T*BKT	MAX 300T*BKT	A (MM)	B (MM)
63	RW1/16	RW1/17	RW1/18	RW1/19	30	110
75	RW2/16	RW2/17	RW2/18	RW2/19	30	115
100	RW3/16	RW3/17	RW3/18	RW3/19	30	145
125	RW4/16	RW4/17	RW4/18	RW4/19	40	190
150	RW5/16	RW5/17	RW5/18	RW5/19	40	190

Special brackets available on request.

*T = Projection from wall (mm)

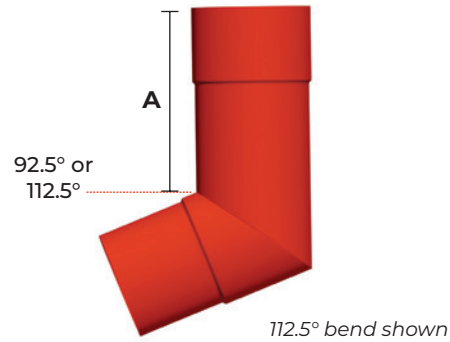
Mullion Bracket also available



ROUND DOWNPIPE SYSTEM

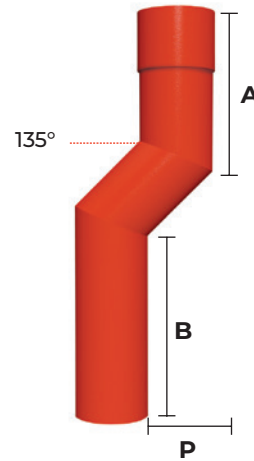
UNIVERSAL BENDS

PIPE (MM)	112.5° BEND	92.5° BEND	A (MM)
63	RW1/21	RW1/61	125
75	RW2/21	RW2/61	125
100	RW3/21	RW3/61	125
125	RW4/21	RW4/61	125
150	RW5/21	RW5/61	125



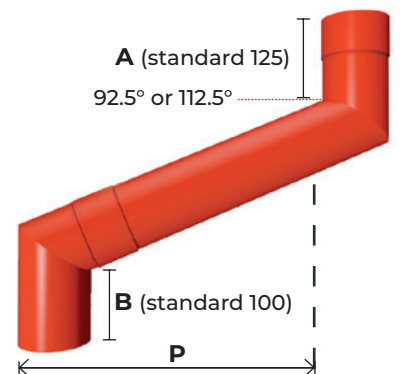
PLINTH OFFSETS

PIPE (MM)	OFFSET	A (MM)	B (MM)	P (MM)
63	RW1/23	140	200	Please state size required
75	RW2/23	145	200	
100	RW3/23	165	200	
125	RW4/23	185	200	
150	RW5/23	205	200	



SWAN NECKS

PIPE (MM)	ONE PIECE STATE SIZE	MAXIMUM PROJECTION OF SWAN NECKS					OTHER	MINIMUM PROJECTION P
		300	450	600	900	1200		
112.5° ANGLE								
63	RW1/25	RW1/26	RW1/27	RW1/28	RW1/29	RW1/30	Please specify A, B & P, projection angle RW?/31	145
75	RW2/25	RW2/26	RW2/27	RW2/28	RW2/29	RW2/30		155
100	RW3/25	RW3/26	RW3/27	RW3/28	RW3/29	RW3/30		185
125	RW4/25	RW4/26	RW4/27	RW4/28	RW4/29	RW4/30		225
150	RW5/25	RW5/26	RW5/27	RW5/28	RW5/29	RW5/30		250
92.5° ANGLE								
63	RW1/65	RW1/66	RW1/67	RW1/68	RW1/69	RW1/70	Please specify A, B & P, projection angle RW?/71	145
75	RW2/65	RW2/66	RW2/67	RW2/68	RW2/69	RW2/70		155
100	RW3/65	RW3/66	RW3/67	RW3/68	RW3/69	RW3/70		185
125	RW4/65	RW4/66	RW4/67	RW4/68	RW4/69	RW4/70		225
150	RW5/65	RW5/66	RW5/67	RW5/68	RW5/69	RW5/70		250



112.5° swan neck shown