

GUTTERCREST

ALUMINIUM

SHAPED BOX GUTTERS



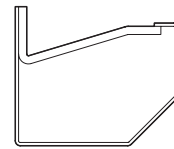
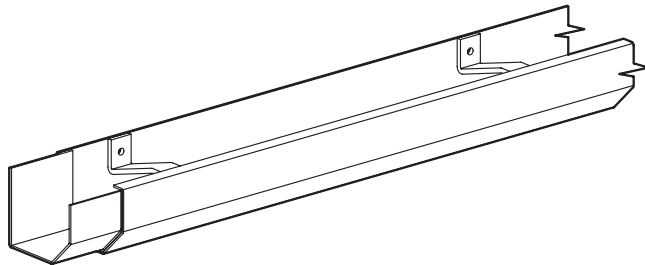
PRICE LIST

PRICE LIST

SHAPED BOX GUTTER SYSTEM

STANDARD GUTTER LENGTHS

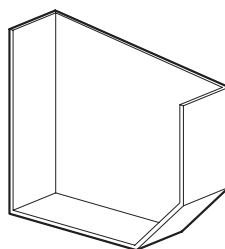
Gutter (mm)	100 x 75	100 x 100	125 x 100	150 x 100	150 x 150	200 x 150	200 x 200	300 x 200
3.0mtr	SBX1/1	SBX2/1	SBX3/1	SBX4/1	SBX5/1	SBX6/1	SBX7/1	SBX8/1
MILL	66.81	77.21	79.56	80.88	98.98	120.18	127.26	159.25
PPC	73.47	85.00	88.11	89.99	110.55	133.10	142.50	177.46
1.5mtr	SBX1/2	SBX2/2	SBX3/2	SBX4/2	SBX5/2	SBX6/2	SBX7/2	SBX8/2
MILL	42.21	47.22	53.52	54.33	64.75	76.86	85.03	104.10
PPC	45.54	51.12	57.80	58.89	70.53	83.32	92.66	113.21



STOP ENDS

Gutter (mm)	100 x 75	100 x 100	125 x 100	150 x 100	150 x 150	200 x 150	200 x 200	300 x 200
Stop End Right Hand	SBX1/10	SBX2/10	SBX3/10	SBX4/10	SBX5/10	SBX6/10	SBX7/10	SBX8/10
MILL	5.19	5.38	5.54	5.63	6.72	8.10	8.78	10.49
PPC	5.69	5.88	6.04	6.13	7.22	8.60	9.28	11.18
Stop End Left Hand	SBX1/11	SBX2/11	SBX3/11	SBX4/11	SBX5/11	SBX6/11	SBX7/11	SBX8/11
MILL	5.19	5.38	5.54	5.63	6.72	8.10	8.78	10.49
PPC	5.69	5.88	6.04	6.13	7.22	8.60	9.28	11.18

NOTE: THESE ARE INTERNAL STOP ENDS



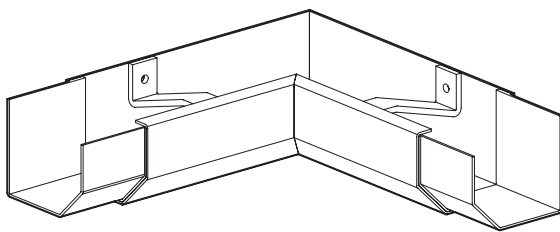
Right Hand shown

PRICE LIST

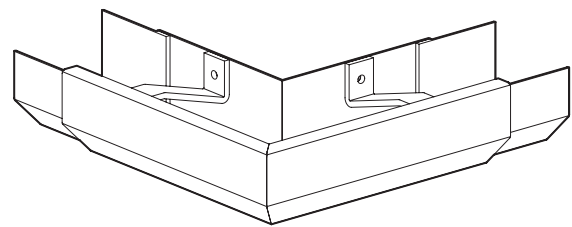
SHAPED BOX GUTTER SYSTEM

ANGLES INTERNAL & EXTERNAL

Gutter (mm)	100 x 75	100 x 100	125 x 100	150 x 100	150 x 150	200 x 150	200 x 200	300 x 200
90° External	SBX1/3	SBX2/3	SBX3/3	SBX4/3	SBX5/3	SBX6/3	SBX7/3	SBX8/3
MILL	35.02	37.75	40.00	43.19	50.44	59.93	65.68	77.87
PPC	36.29	39.25	41.82	45.23	53.02	63.03	69.37	82.55
90° Internal	SBX1/4	SBX2/4	SBX3/4	SBX4/4	SBX5/4	SBX6/4	SBX7/4	SBX8/4
MILL	35.02	37.75	39.97	43.19	50.44	59.93	65.68	77.87
PPC	36.29	39.25	41.82	45.23	53.02	63.03	69.37	82.55
135° External	SBX1/5	SBX2/5	SBX3/5	SBX4/5	SBX5/5	SBX6/5	SBX7/5	SBX8/5
MILL	33.73	35.98	39.89	40.81	47.27	59.59	61.55	72.92
PPC	34.86	37.31	41.51	42.62	49.56	62.14	64.58	76.82
135° Internal	SBX1/6	SBX2/6	SBX3/6	SBX4/6	SBX5/6	SBX6/6	SBX7/6	SBX8/6
MILL	33.73	35.98	39.89	40.81	47.27	59.59	61.55	72.92
PPC	34.86	37.31	41.51	42.62	49.56	62.14	64.58	76.82
Irregular External	SBX1/7	SBX2/7	SBX3/7	SBX4/7	SBX5/7	SBX6/7	SBX7/7	SBX8/7
MILL	62.62	66.93	71.47	79.09	93.52	120.57	119.55	140.42
PPC	64.33	68.95	73.77	81.71	96.85	124.27	123.95	145.85
Irregular Internal	SBX1/8	SBX2/8	SBX3/8	SBX4/8	SBX5/8	SBX6/8	SBX7/8	SBX8/8
MILL	62.62	66.94	71.47	79.09	93.52	120.57	119.55	140.42
PPC	64.33	68.96	73.77	81.71	96.85	124.27	123.95	145.85



Internal Angle



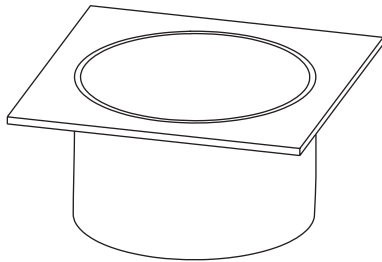
External Angle

PRICE LIST

SHAPED BOX GUTTER SYSTEM

SLEEVE OUTLETS - ROUND

Gutter (mm)	100 x 75	100 x 100	125 x 100	150 x 100	150 x 150	200 x 150	200 x 200	300 x 200
63mm Ø	SBX1/SO13	SBX2/SO13	SBX3/SO13	SBX4/SO13	SBX5/SO13	SBX6/SO13	SBX7/SO13	SBX8/SO13
MILL	-	-	6.70	6.70	6.70	6.70	6.70	6.70
PPC	-	-	7.20	7.20	7.20	7.20	7.20	7.20
75mm Ø	SBX1/SO14	SBX2/SO14	SBX3/SO14	SBX4/SO14	SBX5/SO14	SBX6/SO14	SBX7/SO14	SBX8/SO14
MILL	-	-	-	6.70	6.70	6.70	6.70	6.70
PPC	-	-	-	7.20	7.20	7.20	7.20	7.20
100mm Ø	SBX1/SO15	SBX2/SO15	SBX3/SO15	SBX4/SO15	SBX5/SO15	SBX6/SO15	SBX7/SO15	SBX8/SO15
MILL	-	-	-	-	-	8.00	8.00	8.00
PPC	-	-	-	-	-	8.50	8.50	8.50
125mm Ø	SBX1/SO16	SBX2/SO16	SBX3/SO16	SBX4/SO16	SBX5/SO16	SBX6/SO16	SBX7/SO16	SBX8/SO16
MILL	-	-	-	-	-	8.00	-	8.00
PPC	-	-	-	-	-	8.50	-	8.50
150mm Ø	SBX1/SO17	SBX2/SO17	SBX3/SO17	SBX4/SO17	SBX5/SO17	SBX6/SO17	SBX7/SO17	SBX8/SO17
MILL	-	-	-	-	-	-	-	11.50
PPC	-	-	-	-	-	-	-	12.00



Please Note

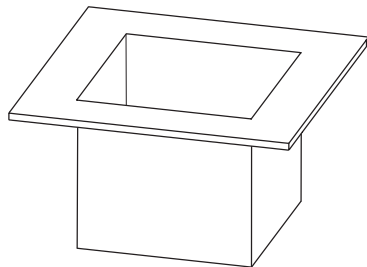
Sleeve Outlets can be used in place of Running Outlets giving increased flexibility and cost efficiency.

PRICE LIST

SHAPED BOX GUTTER SYSTEM

SLEEVE OUTLETS - ROUND

Gutter (mm)	100 x 75	100 x 100	125 x 100	150 x 100	150 x 150	200 x 150	200 x 200	300 x 200
75 x 50mm	SBX1/SO18	SBX2/SO18	SBX3/SO18	SBX4/SO18	SBX5/SO18	SBX6/SO18	SBX7/SO18	SBX8/SO18
MILL	-	-	6.70	6.70	6.70	6.70	6.70	6.70
PPC	-	-	7.20	7.20	7.20	7.20	7.20	7.20
75 x 75mm	SBX1/SO19	SBX2/SO19	SBX3/SO19	SBX4/SO19	SBX5/SO19	SBX6/SO19	SBX7/SO19	SBX8/SO19
MILL	-	-	-	6.70	6.70	6.70	6.70	6.70
PPC	-	-	-	7.20	7.20	7.20	7.20	7.20
100 x 75mm	SBX1/SO20	SBX2/SO20	SBX3/SO20	SBX4/SO20	SBX5/SO20	SBX6/SO20	SBX7/SO20	SBX8/SO20
MILL	-	-	-	6.70	6.70	6.70	6.70	6.70
PPC	-	-	-	7.20	7.20	7.20	7.20	7.20
100 x 100mm	SBX1/SO21	SBX2/SO21	SBX3/SO21	SBX4/SO21	SBX5/SO21	SBX6/SO21	SBX7/SO21	SBX8/SO21
MILL	-	-	-	8.00	-	8.00	8.00	8.00
PPC	-	-	-	8.50	-	8.50	8.50	8.50
100 x 100mm	SBX1/SO22	SBX2/SO22	SBX3/SO22	SBX4/SO22	SBX5/SO22	SBX6/SO22	SBX7/SO22	SBX8/SO22
MILL	-	-	-	-	-	-	-	8.00
PPC	-	-	-	-	-	-	-	8.50



Please Note

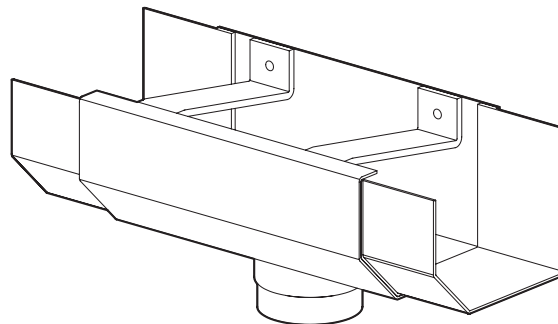
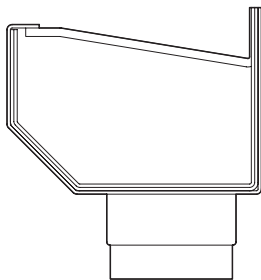
Sleeve Outlets can be used in place of Running Outlets giving increased flexibility and cost efficiency.

PRICE LIST

SHAPED BOX GUTTER SYSTEM

RUNNING OUTLETS - ROUND

Gutter (mm)	100 x 75	100 x 100	125 x 100	150 x 100	150 x 150	200 x 150	200 x 200	300 x 200
63mm Ø	SBX1/13	SBX2/13	SBX3/13	SBX4/13	SBX5/13	SBX6/13	SBX7/13	SBX8/13
MILL	37.79	38.96	40.55	41.80	46.81	54.81	59.36	68.60
PPC	38.70	40.03	41.69	43.02	48.35	56.53	61.40	71.01
75mm Ø	SBX1/14	SBX2/14	SBX3/14	SBX4/14	SBX5/14	SBX6/14	SBX7/14	SBX8/14
MILL	37.90	39.08	40.67	42.31	45.91	55.32	59.87	68.72
PPC	38.81	40.15	41.81	43.53	47.45	57.04	61.91	71.13
100mm Ø	SBX1/15	SBX2/15	SBX3/15	SBX4/15	SBX5/15	SBX6/15	SBX7/15	SBX8/15
MILL	-	-	40.28	41.92	46.93	54.93	59.48	68.33
PPC	-	-	41.42	43.14	48.47	56.65	61.52	70.74
125mm Ø	SBX1/16	SBX2/16	SBX3/16	SBX4/16	SBX5/16	SBX6/16	SBX7/16	SBX8/16
MILL	-	-	-	44.78	50.17	60.37	63.14	72.38
PPC	-	-	-	46.00	51.71	62.09	65.18	74.79
150mm Ø	SBX1/17	SBX2/17	SBX3/17	SBX4/17	SBX5/17	SBX6/17	SBX7/17	SBX8/17
MILL	-	-	-	-	-	61.04	63.81	73.05
PPC	-	-	-	-	-	62.76	65.85	75.46



Please Note

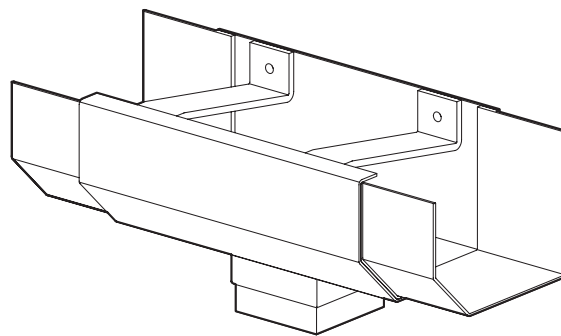
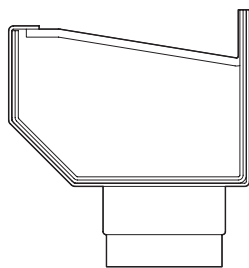
Sleeve Outlets can be used in place of Running Outlets giving increased flexibility and cost efficiency

PRICE LIST

SHAPED BOX GUTTER SYSTEM

RUNNING OUTLETS - SQUARE & RECTANGLE

Gutter (mm)	100 x 75	100 x 100	125 x 100	150 x 100	150 x 150	200 x 150	200 x 200	300 x 200
75 x 50mm	SBX1/18	SBX2/18	SBX3/18	SBX4/18	SBX5/18	SBX6/18	SBX7/18	SBX8/18
MILL	37.82	38.99	40.53	41.78	46.40	54.40	58.95	67.80
PPC	38.73	40.06	41.67	43.00	47.94	56.12	60.99	70.21
75 x 75mm	SBX1/19	SBX2/19	SBX3/19	SBX4/19	SBX5/19	SBX6/19	SBX7/19	SBX8/19
MILL	37.92	39.10	40.64	41.89	46.90	54.89	59.45	68.29
PPC	38.83	40.17	41.78	43.11	48.44	56.61	61.49	70.70
100 x 75mm	SBX1/20	SBX2/20	SBX3/20	SBX4/20	SBX5/20	SBX6/20	SBX7/20	SBX8/20
MILL	38.21	39.38	40.90	42.43	48.24	56.24	60.79	69.64
PPC	39.12	40.45	42.04	43.65	49.78	57.96	62.83	72.05
100 x 100mm	SBX1/21	SBX2/21	SBX3/21	SBX4/21	SBX5/21	SBX6/21	SBX7/21	SBX8/21
MILL	-	-	41.83	43.36	48.37	56.76	61.31	70.16
PPC	-	-	42.97	44.58	49.91	58.48	63.35	72.57
150 x 100mm	SBX1/22	SBX2/22	SBX3/22	SBX4/22	SBX5/22	SBX6/22	SBX7/22	SBX8/22
MILL	-	-	44.25	45.40	51.41	60.92	63.90	73.89
PPC	-	-	45.54	46.78	53.16	62.87	66.22	76.63
150 x 150mm	SBX1/23	SBX2/23	SBX3/23	SBX4/23	SBX5/23	SBX6/23	SBX7/23	SBX8/23
MILL	-	-	-	-	-	62.66	65.38	75.63
PPC	-	-	-	-	-	64.61	67.70	78.37



Please Note

Sleeve Outlets can be used in place of Running Outlets giving increased flexibility and cost efficiency.