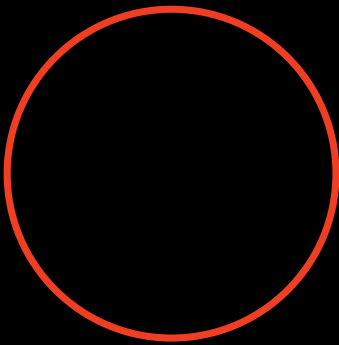


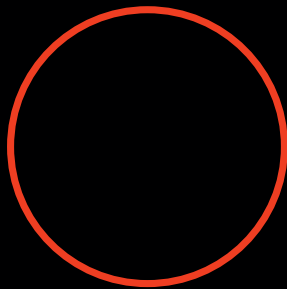
# GUTTERCREST

## ALUMINIUM

### SMOOTHLINE ROUND DOWNPIPES



150mm  
6"



125mm  
5"



100mm  
4"



75mm  
3"



63mm  
2½"

## PRICE LIST

## PRICE LIST

### SMOOTHLINE ROUND DOWNPIPE SYSTEM

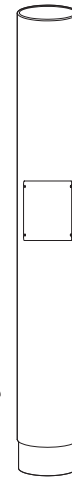
#### DOWNPIPE LENGTHS

Pipe (mm)	63 Ø	75 Ø	100 Ø	125 Ø	150 Ø
3.0mtr	RW1S/1	RW2S/1	RW3S/1	RW4S/1	RW5S/1
MILL	27.18	32.79	43.08	84.00	102.13
PPC	32.31	38.98	51.38	94.17	114.57
1.5mtr	RW1S/4	RW2S/4	RW3S/4	RW4S/4	RW5S/4
MILL	16.07	19.10	24.99	48.67	58.33
PPC	18.64	22.19	29.14	53.76	64.56
1.0mtr	RW1S/5	RW2S/5	RW3S/5	RW4S/5	RW5S/5
MILL	10.72	12.73	16.53	32.71	39.16
PPC	12.43	14.79	19.30	36.11	43.31

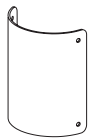


#### ACCESS PIPES & PLATES

Pipe (mm)	63 Ø	75 Ø	100 Ø	125 Ø	150 Ø
Pipe With Plate	RW1S/8	RW2S/8	RW3S/8	RW4S/8	RW5S/8
MILL	13.88	18.24	21.44	33.48	38.87
PPC	15.17	19.79	23.52	36.03	41.99
Plate Only	RW1/9	RW2/9	RW3/9	RW4/9	RW5/9
MILL	4.02	4.07	4.49	5.59	6.44
PPC	4.52	4.57	4.99	6.09	6.94



Approx  
700mm

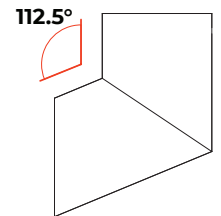
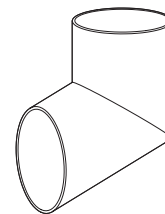


Access Plate

Access Pipe  
With Plate

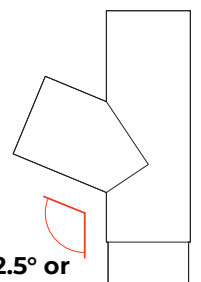
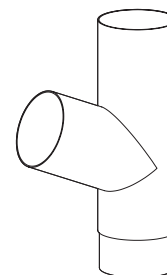
#### SHOES

Pipe (mm)	63 Ø	75 Ø	100 Ø	125 Ø	150 Ø
Shoe	RW1S/10	RW2S/10	RW3S/10	RW4S/10	RW5S/10
MILL	8.20	9.52	12.16	25.68	32.54
PPC	8.70	10.02	12.84	26.55	33.74



#### UNIVERSAL BRANCHES

Pipe (mm)	63 Ø	75 Ø	100 Ø	125 Ø	150 Ø	
Branch	112.5°	RW1S/11	RW2S/11	RW3S/11	RW4S/11	RW5S/11
	92.5°	RW1S/51	RW2S/51	RW3S/51	RW4S/51	RW5S/51
MILL	16.73	19.04	26.87	40.50	51.18	
PPC	17.37	19.81	28.05	42.33	56.29	



112.5° branch shown

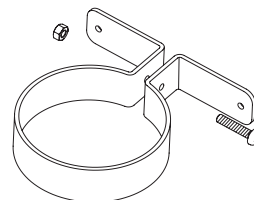
112.5° or  
92.5°

## PRICE LIST

### SMOOTHLINE ROUND DOWNPIPE SYSTEM

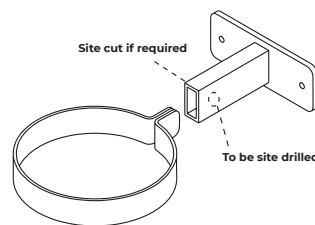
#### PIPE CLIPS

Pipe (mm)	63 Ø	75 Ø	100 Ø	125 Ø	150 Ø
Standard Pipe Clip	RW1/16	RW2/16	RW3/16	RW4/16	RW5/16
MILL	3.65	4.13	4.73	5.90	6.40
PPC	4.15	4.63	5.23	6.40	6.90



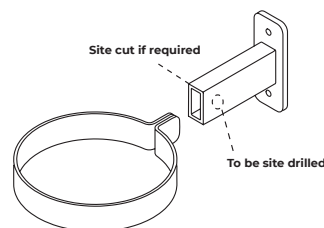
Standard Pipe Clip

Pipe (mm)	63 Ø	75 Ø	100 Ø	125 Ø	150 Ø
Tee Bkt 100mm	RW1/17	RW2/17	RW3/17	RW4/17	RW5/17
MILL	7.57	7.73	8.37	9.00	9.42
PPC	8.07	8.23	8.87	9.50	9.92
Tee Bkt 200mm	RW1/18	RW2/18	RW3/18	RW4/18	RW5/18
MILL	8.48	8.63	9.00	9.96	10.38
PPC	8.98	9.13	9.50	10.46	10.88
Tee Bkt 300mm	RW1/19	RW2/19	RW3/19	RW4/19	RW5/19
MILL	9.48	9.64	10.00	11.03	11.44
PPC	9.98	10.14	10.50	11.53	11.94



Tee bracket

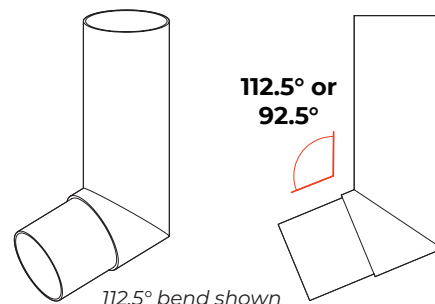
Mullion Bkt 100mm	RW1/171	RW2/171	RW3/171	RW4/171	RW5/171
MILL	7.57	7.73	8.37	9.00	9.42
PPC	8.07	8.23	8.87	9.50	9.92
Mullion Bkt 200mm	RW1/181	RW2/181	RW3/181	RW4/181	RW5/181
MILL	8.48	8.63	9.00	9.96	10.38
PPC	8.98	9.13	9.50	10.46	10.88
Mullion Bkt 300mm	RW1/191	RW2/191	RW3/191	RW4/191	RW5/191
MILL	9.48	9.64	10.00	11.03	11.44
PPC	9.98	10.14	10.50	11.53	11.94



Mullion bracket

#### BENDS

Pipe (mm)		63 Ø	75 Ø	100 Ø	125 Ø	150 Ø
Bend	112.5°	RW1S/21	RW2S/21	RW3S/21	RW4S/21	RW5S/21
	92.5°	RW1S/61	RW2S/61	RW3S/61	RW4S/61	RW5S/61
MILL		8.06	8.62	12.14	21.74	27.21
PPC		8.56	9.12	12.86	22.68	28.43



NOTE: NORMALLY USED WITH A BRANCH

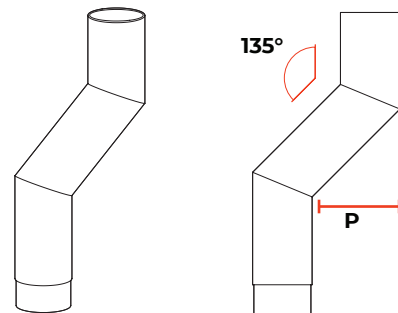
## PRICE LIST

### SMOOTHLINE ROUND DOWNPIPE SYSTEM

#### PLINTH OFFSETS

Pipe (mm)	63 Ø	75 Ø	100 Ø	125 Ø	150 Ø
Offset Up To 150mm	RW1S/23	RW2S/23	RW3S/23	RW4S/23	RW5S/23
MILL	23.17	25.84	30.67	55.71	66.76
PPC	24.14	27.02	32.28	57.71	69.25

NOTE: PLEASE STATE PROJECTION (P) SIZE

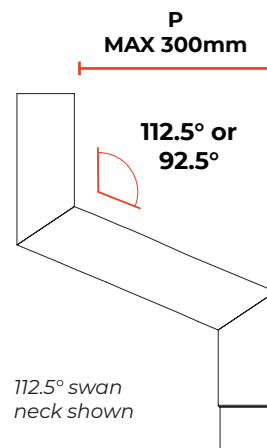


#### SWAN NECKS

##### SWAN NECK 1 PIECE

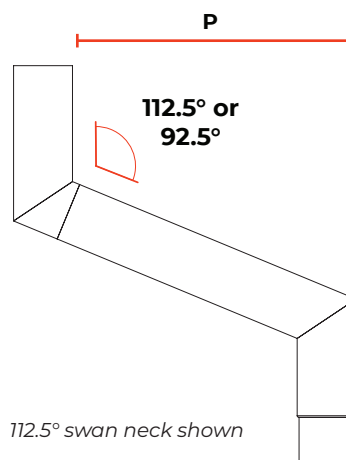
Pipe (mm)		63 Ø	75 Ø	100 Ø	125 Ø	150 Ø
One Piece 300mm	112.5°	RW1S/25	RW2S/25	RW3S/25	RW4S/25	RW5S/25
	92.5°	RW1S/65	RW2S/65	RW3S/65	RW4S/65	RW5S/65
MILL		32.73	35.47	40.39	66.89	79.17
PPC		33.75	36.71	42.10	69.05	81.88

NOTE: PLEASE STATE PROJECTION (P) SIZE



##### SWAN NECK 2 PIECE

Pipe (mm)		63 Ø	75 Ø	100 Ø	125 Ø	150 Ø
Two Piece 300mm	112.5°	RW1S/26	RW2S/26	RW3S/26	RW4S/26	RW5S/26
	92.5°	RW1S/66	RW2S/66	RW3S/66	RW4S/66	RW5S/66
MILL		18.95	21.27	27.90	54.60	68.64
PPC		20.07	22.63	29.81	56.99	71.68
Two Piece 450mm	112.5°	RW1S/27	RW2S/27	RW3S/27	RW4S/27	RW5S/27
	92.5°	RW1S/67	RW2S/67	RW3S/67	RW4S/67	RW5S/67
MILL		20.33	22.95	29.39	60.40	75.39
PPC		21.72	24.64	31.74	63.33	79.10
Two Piece 600mm	112.5°	RW1S/28	RW2S/28	RW3S/28	RW4S/28	RW5S/28
	92.5°	RW1S/68	RW2S/68	RW3S/68	RW4S/68	RW5S/68
MILL		21.75	24.67	31.65	64.85	80.85
PPC		23.42	26.70	34.45	68.34	85.24
Two Piece 900mm	112.5°	RW1S/29	RW2S/29	RW3S/29	RW4S/29	RW5S/29
	92.5°	RW1S/69	RW2S/69	RW3S/69	RW4S/69	RW5S/69
MILL		24.54	28.08	36.09	73.63	91.60
PPC		26.77	30.78	39.79	78.22	97.34
Two Piece 1200mm	112.5°	RW1S/30	RW2S/30	RW3S/30	RW4S/30	RW5S/30
	92.5°	RW1S/70	RW2S/70	RW3S/70	RW4S/70	RW5S/70
MILL		27.42	31.61	40.67	82.67	102.66
PPC		30.22	35.04	45.30	88.40	109.79



## PRICE LIST

### FIXINGS & SEALANTS

Code	Qty	Description	Price
GM1	25	Gutter Fixing 38 x 5.5 A2 Stainless Steel	4.42
GM2	100	Gutter Fixing 38 x 5.5 A2 Stainless Steel	12.00
GM3	200	Gutter Fixing 38 x 5.5 A2 Stainless Steel	22.40



GM1 - GM5

Code	Qty	Description	Price
GM201	25	4.8 x 14.7 All Aluminium sealed Rivet	3.13
GM202	100	4.8 x 14.7 All Aluminium sealed Rivet	12.03
GM203	200	4.8 x 14.7 All Aluminium sealed Rivet	23.94



GM201 - GM203

Code	Qty	Description	Price
GM610	25	6.3mm STRUCTURAL Aluminium Rivet	10.66
GM620	100	6.3mm STRUCTURAL Aluminium Rivet	37.44



GM610 - GM620

Code	Qty	Description	Price
GM20	25	Downpipe Fixing 6 x 50 A2 Stainless Steel	9.05
GM21	100	Downpipe Fixing 6 x 50 A2 Stainless Steel	31.17



GM20 - GM21

Code	Qty	Description	Price
GM30	1	380ml Cartridge Silicone Sealant - Grey	11.07
GM32	1	1no 12mtr Reel Butyl Tape 12mm x 3mm	4.67
GM34	1	1 Litre Sealant Cleaner	10.96
GM40	1	0.5ltr Touch Up Paint - Colour to match order	23.35
GM50	1	1no Drill Bit 4.8mm	2.10
GM51	1	1no Drill Bit 6.4mm	3.32



GM30



GM32



GM50 - GM60

Code	Qty	Description	Price
GM910	1	Standard Rainwater Rivet Gun	19.52
GM920	1	Professional Rivet Gun - Interchangeable collets for rainwater and structural rivets	111.10



GM910



GM920

## PRICE LIST

### CARRIAGE CHARGES

#### GUTTERS, DOWNPIPES & HOPPERS

TOTAL NET ORDER VALUE (EXCLUDING VAT)		PRICE
£0 - £99	BOXED UP TO 10KG	£15 Min Charge
£0 - £99	3M LENGTHS UP TO 10KGS	£30
£100 - £624		£40
£625 - £1249		£55
£1250 PLUS		FREE DELIVERY

Delivery Exclusions Apply:  
Please see the Charges  
section below

#### COPING, FASCIAS & SOFFITS

TOTAL NET ORDER VALUE (EXCLUDING VAT)	PRICE
£0 - £150	£40
£151 - £1249	£95
£1250 PLUS	FREE DELIVERY

Delivery Exclusions Apply:  
Please see the Charges  
section below

#### CHARGES

With a fleet of Guttercrest vehicles and outside couriers, we deliver all our aluminium products to your local builders merchant or direct to site.

##### SCOTTISH MAINLAND

Standard carriage charges apply on  
Postcode areas: DG, EH, G, KA, KY, TD

ALSO TO INCLUDE: DD1 - DD7, FK1 - FK7, FK9 - FK15,  
FK8 STERLING ONLY (Rest of FK8 will be price on application),  
KY1 - KY16, PA1 - PA19, PH1 - PH4, PH12 - PH14

All other Scottish Mainland, carriage price on application.

##### NON MAINLAND

For delivery to Northern Ireland, The Republic of Ireland  
and all offshore Islands, carriage Price on application.

##### EXPORT

Price on application.

Tel: +44 (0)1691 663300

Email: [info@guttercrest.co.uk](mailto:info@guttercrest.co.uk)

VAT will be charged at the appropriate rate.

