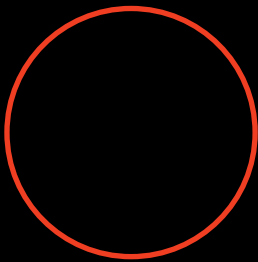


GUTTERCREST

ALUMINIUM

TRADITIONAL ROUND DOWNPIPES



150mm
6"



100mm
4"



75mm
3"



63mm
2½"

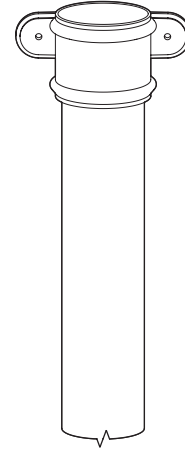
PRICE LIST

PRICE LIST

TRADITIONAL ROUND DOWNPIPE SYSTEM

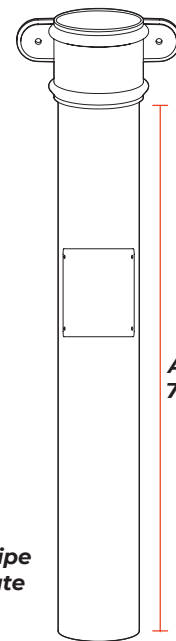
DOWNPIPE LENGTHS

Pipe (mm)	63 Ø	75 Ø	100 Ø	150 Ø
3.0mtr	RW1T/1	RW2T/1	RW3T/1	RW5T/1
MILL	33.88	40.35	53.75	128.26
PPC	39.01	46.54	62.05	140.70
1.8mtr	RW1T/3	RW2T/3	RW3T/3	RW5T/3
MILL	23.69	27.79	37.35	89.07
PPC	26.77	31.50	42.33	96.54

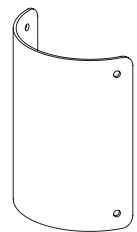


ACCESS PIPES & PLATES

Pipe (mm)	63 Ø	75 Ø	100 Ø	150 Ø
Pipe With Plate	RW1T/8	RW2T/8	RW3T/8	RW5T/8
MILL	23.01	25.41	32.24	66.07
PPC	24.40	27.08	34.55	69.59
Plate Only	RW1/9	RW2/9	RW3/9	RW5/9
MILL	4.02	4.07	4.49	6.44
PPC	4.52	4.57	4.99	6.94



Approx
700mm

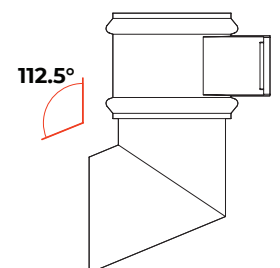
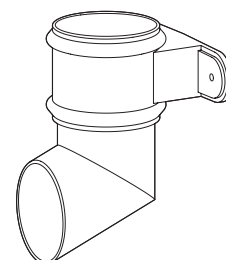


Access Plate

Access Pipe
With Plate

SHOES

Pipe (mm)	63 Ø	75 Ø	100 Ø	150 Ø
Shoe	RW1T/10	RW2T/10	RW3T/10	RW5T/10
MILL	15.47	17.45	23.84	55.93
PPC	15.97	17.95	24.58	57.17



112.5°

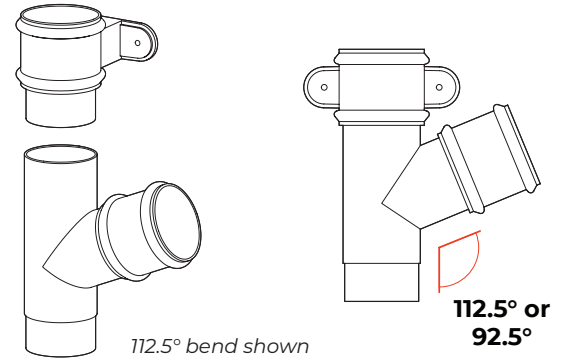
PRICE LIST

TRADITIONAL ROUND DOWNPIPE SYSTEM

UNIVERSAL BRANCH

Pipe (mm)		63 Ø	75 Ø	100 Ø	150 Ø
Branch	112.5°	RW1T/11	RW2T/11	RW3T/11	RW5T/11
	92.5°	RW1T/51	RW2T/51	RW3T/51	RW5T/51
MILL		33.56	36.93	47.43	107.83
PPC		34.20	37.70	48.61	110.39

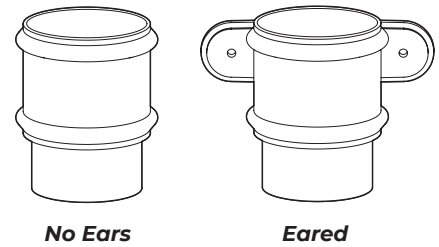
NOTE: UNIVERSAL BRANCH FOR LEFT OR RIGHT IF ONE PIECE IS REQUIRED PLEASE STATE INCLUDING LEFT OR RIGHT HAND



CONNECTORS

Pipe (mm)		63 Ø	75 Ø	100 Ø	150 Ø
Connector No Ears		RW1T/12	RW2T/12	RW3T/12	RW5T/12
MILL		8.81	9.62	13.00	32.28
PPC		9.31	10.12	13.50	33.00
Connector Eared		RW1T/13	RW2T/13	RW3T/13	RW5T/13
MILL		10.39	11.57	16.20	33.34
PPC		10.89	12.07	16.70	34.06

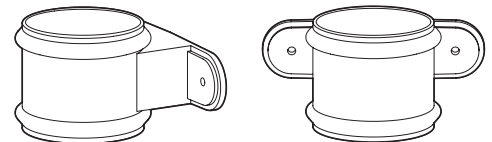
NOTE: A STANDARD PLAIN CONNECTOR CAN ALSO BE USED



COLLAR BRACKETS

Pipe (mm)		63 Ø	75 Ø	100 Ø	150 Ø
Collar Bkt Eared		RW1T/15	RW2T/15	RW3T/15	RW5T/15
MILL		7.31	7.98	11.80	22.06
PPC		7.81	8.48	12.30	22.56

NOTE: THIS ITEM IS USED IN PLACE OF A BRACKET, FOR EXAMPLE AT THE BASE OF THE DOWNPIPE IF NO SHOE IS REQUIRED



PRICE LIST

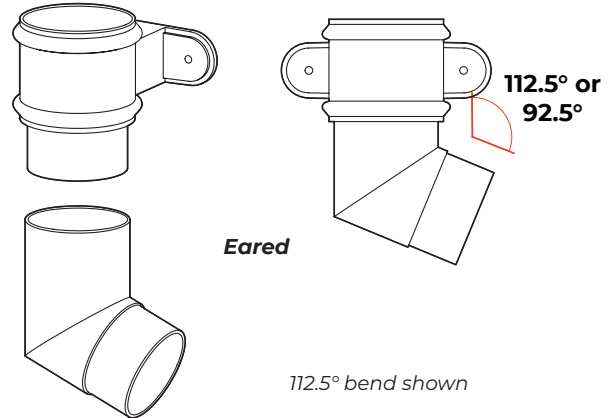
TRADITIONAL ROUND DOWNPIPE SYSTEM

BENDS

Pipe (mm)		63 Ø	75 Ø	100 Ø	150 Ø
Side Bend No Ears	112.5°	RW1T/21	RW2T/21	RW3T/21	RW5T/21
	92.5°	RW1T/61	RW2T/61	RW3T/61	RW5T/61
MILL		12.56	14.18	19.17	47.02
PPC		13.06	14.68	19.74	48.01
Side Bend Eared	112.5°	RW1T/22	RW2T/22	RW3T/22	RW5T/22
	92.5°	RW1T/62	RW2T/62	RW3T/62	RW5T/62
MILL		15.89	17.95	23.68	51.81
PPC		16.39	18.45	24.25	52.80

NOTE: NORMALLY USED WITH A BRANCH

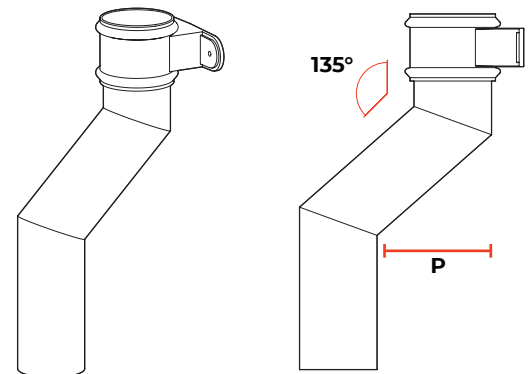
UNIVERSAL BENDS FOR LEFT OR RIGHT IF ONE PIECE IS REQUIRED
PLEASE STATE INCLUDING LEFT OR RIGHT HAND



PLINTH OFFSETS

Pipe (mm)	63 Ø	75 Ø	100 Ø	150 Ø
Offset Up To 150mm	RW1T/23	RW2T/23	RW3T/23	RW5T/23
MILL	30.06	33.48	41.29	88.44
PPC	30.92	34.53	42.67	90.56

NOTE: PLEASE STATE PROJECTION (P) SIZE



PRICE LIST

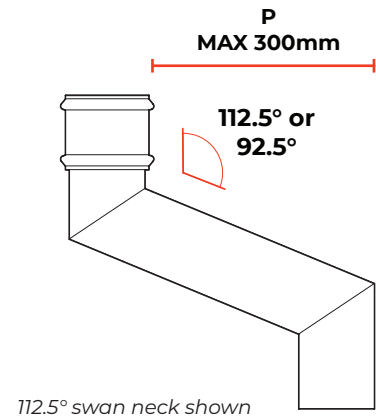
TRADITIONAL ROUND DOWNPIPE SYSTEM

SWAN NECKS

SWAN NECK 1 PIECE

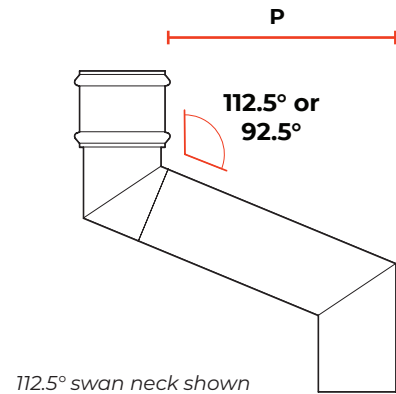
Pipe (mm)		63 Ø	75 Ø	100 Ø	150 Ø
One Piece 300mm	112.5°	RW1T/25	RW2T/25	RW3T/25	RW5T/25
	92.5°	RW1T/65	RW2T/65	RW3T/65	RW5T/65
MILL		39.14	42.37	51.92	100.98
PPC		40.15	43.61	53.63	103.71

NOTE: PLEASE STATE PROJECTION (P) SIZE



SWAN NECK 2 PIECE

Pipe (mm)		63 Ø	75 Ø	100 Ø	150 Ø
Two Piece 300mm	112.5°	RW1T/26	RW2T/26	RW3T/26	RW5T/26
	92.5°	RW1T/66	RW2T/66	RW3T/66	RW5T/66
MILL		21.14	24.32	31.83	79.10
PPC		22.25	25.69	33.74	82.20
Two Piece 450mm	112.5°	RW1T/27	RW2T/27	RW3T/27	RW5T/27
	92.5°	RW1T/67	RW2T/67	RW3T/67	RW5T/67
MILL		22.60	26.10	34.15	84.73
PPC		23.99	27.80	36.51	88.49
Two Piece 600mm	112.5°	RW1T/28	RW2T/28	RW3T/28	RW5T/28
	92.5°	RW1T/68	RW2T/68	RW3T/68	RW5T/68
MILL		23.91	27.69	35.78	88.78
PPC		25.58	29.73	37.84	91.88
Two Piece 900mm	112.5°	RW1T/29	RW2T/29	RW3T/29	RW5T/29
	92.5°	RW1T/69	RW2T/69	RW3T/69	RW5T/69
MILL		29.68	34.72	45.33	97.88
PPC		31.51	36.93	48.29	103.62
Two Piece 1200mm	112.5°	RW1T/30	RW2T/30	RW3T/30	RW5T/30
	92.5°	RW1T/70	RW2T/70	RW3T/70	RW5T/70
MILL		30.01	35.12	45.86	113.29
PPC		32.40	38.00	49.72	119.08



PRICE LIST

FIXINGS & SEALANTS

Code	Qty	Description	Price
GM1	25	Gutter Fixing 38 x 5.5 A2 Stainless Steel	4.42
GM2	100	Gutter Fixing 38 x 5.5 A2 Stainless Steel	12.00
GM3	200	Gutter Fixing 38 x 5.5 A2 Stainless Steel	22.40



GM1 - GM5

Code	Qty	Description	Price
GM201	25	4.8 x 14.7 All Aluminium sealed Rivet	3.13
GM202	100	4.8 x 14.7 All Aluminium sealed Rivet	12.03
GM203	200	4.8 x 14.7 All Aluminium sealed Rivet	23.94



GM201 - GM203

Code	Qty	Description	Price
GM610	25	6.3mm STRUCTURAL Aluminium Rivet	10.66
GM620	100	6.3mm STRUCTURAL Aluminium Rivet	37.44



GM610 - GM620

Code	Qty	Description	Price
GM20	25	Downpipe Fixing 6 x 50 A2 Stainless Steel	9.05
GM21	100	Downpipe Fixing 6 x 50 A2 Stainless Steel	31.17



GM20 - GM21

Code	Qty	Description	Price
GM30	1	380ml Cartridge Silicone Sealant - Grey	11.07
GM32	1	1no 12mtr Reel Butyl Tape 12mm x 3mm	4.67
GM34	1	1 Litre Sealant Cleaner	10.96
GM40	1	0.5ltr Touch Up Paint - Colour to match order	23.35
GM50	1	1no Drill Bit 4.8mm	2.10
GM51	1	1no Drill Bit 6.4mm	3.32



GM30



GM32



GM50 - GM60

Code	Qty	Description	Price
GM910	1	Standard Rainwater Rivet Gun	19.52
GM920	1	Professional Rivet Gun - Interchangeable collets for rainwater and structural rivets	111.10



GM910



GM920

PRICE LIST

CARRIAGE CHARGES

GUTTERS, DOWNPIPES & HOPPERS

TOTAL NET ORDER VALUE (EXCLUDING VAT)		PRICE
£0 - £99	BOXED UP TO 10KG	£15 Min Charge
£0 - £99	3M LENGTHS UP TO 10KGS	£30
£100 - £624		£40
£625 - £1249		£55
£1250 PLUS		FREE DELIVERY

Delivery Exclusions Apply:
Please see the Charges
section below

COPING, FASCIAS & SOFFITS

TOTAL NET ORDER VALUE (EXCLUDING VAT)	PRICE
£0 - £150	£40
£151 - £1249	£95
£1250 PLUS	FREE DELIVERY

Delivery Exclusions Apply:
Please see the Charges
section below

CHARGES

With a fleet of Guttercrest vehicles and outside couriers, we deliver all our aluminium products to your local builders merchant or direct to site.

SCOTTISH MAINLAND

Standard carriage charges apply on
Postcode areas: DG, EH, G, KA, KY, TD

ALSO TO INCLUDE: DD1 - DD7, FK1 - FK7, FK9 - FK15,
FK8 STERLING ONLY (Rest of FK8 will be price on application),
KY1 - KY16, PA1 - PA19, PH1 - PH4, PH12 - PH14

All other Scottish Mainland, carriage price on application.

NON MAINLAND

For delivery to Northern Ireland, The Republic of Ireland
and all offshore Islands, carriage Price on application.

EXPORT

Price on application.

Tel: +44 (0)1691 663300

Email: info@guttercrest.co.uk

VAT will be charged at the appropriate rate.

