

Traditional Round Downpipes

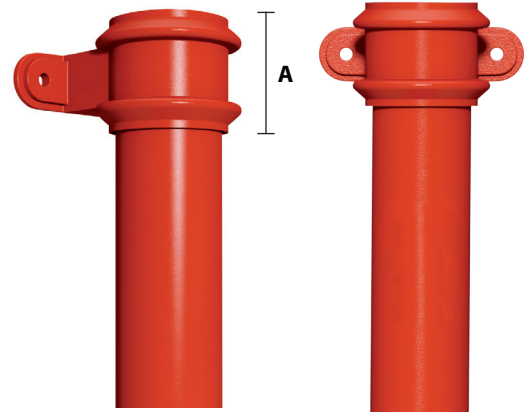
Extruded round aluminium downpipes with traditional cast collars.



TRADITIONAL ROUND CAST DOWNPIPE SYSTEM

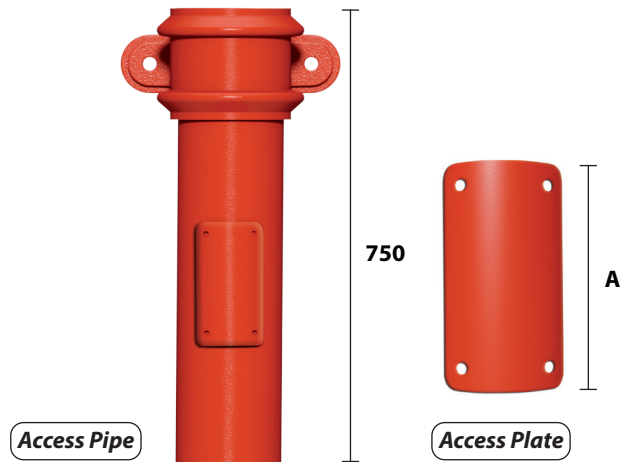
DOWNPIPE LENGTHS

PIPE (mm)	3m	1.8m	1m	OTHER SPECIFY LENGTH	WALL THICKNESS	A (mm)
63	RW1T/1	RW1T/3	RW1T/5	RW1T/6	1.6	76
75	RW2T/1	RW2T/3	RW2T/5	RW2T/6	1.6	76
100	RW3T/1	RW3T/3	RW3T/5	RW3T/6	1.6	100
150	RW5T/1	RW5T/3	RW5T/5	RW5T/6	2.5	112



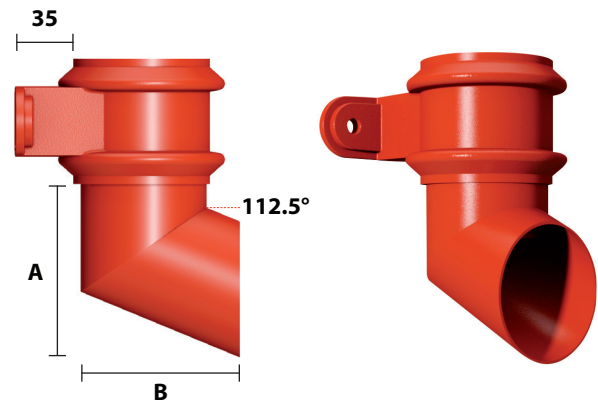
ACCESS PIPES & PLATES

PIPE (mm)	ACCESS PIPE COMPLETE WITH PLATE	ACCESS PLATE	A (mm)
63	RW1T/8	RW1T/9	100
75	RW2T/8	RW2T/9	100
100	RW3T/8	RW3T/9	130
150	RW5T/8	RW5T/9	200



SHOES

PIPE (mm)	SHOE	A (mm)	B (mm)
63	RW1T/10	140	95
75	RW2T/10	155	105
100	RW3T/10	180	130
150	RW5T/10	235	180

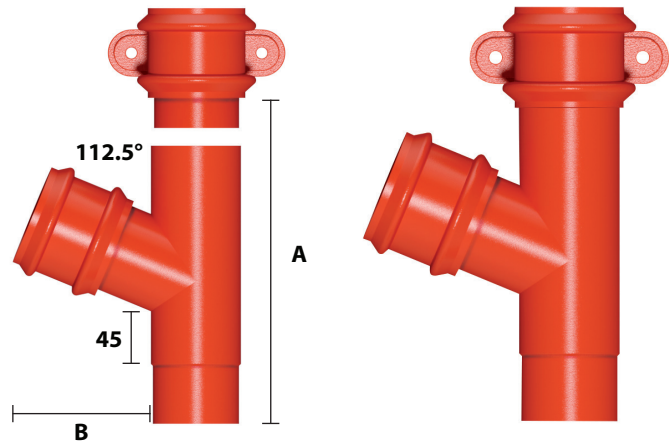


TRADITIONAL ROUND CAST DOWNPIPE SYSTEM

BRANCHES

PIPE (mm)	BRANCH	A (mm)	B (mm)
63	RW1T/11	320	140
75	RW2T/11	335	145
100	RW3T/11	360	155
150	RW5T/11	410	205

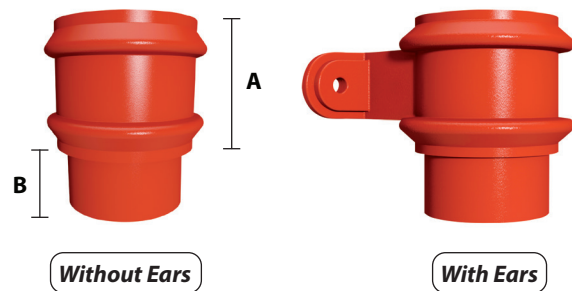
Note: Universal branch for left or right hand.



CONNECTORS

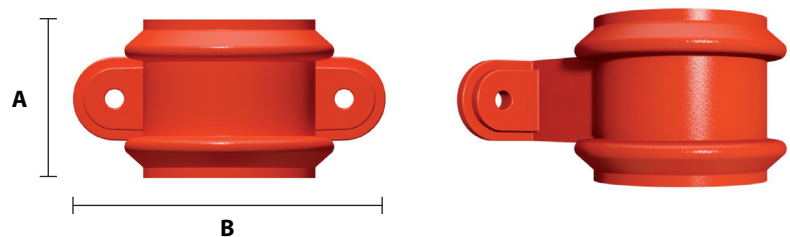
PIPE (mm)	CONNECTOR (NO EARS)	CONNECTOR (EARS)	A (mm)	B (mm)
63	RW1T/12	RW1T/13	76	50
75	RW2T/12	RW2T/13	76	50
100	RW3T/12	RW3T/13	100	50
150	RW5T/12	RW5T/13	112	60

Note: A standard round downpipe plain connector can also be used.



COLLAR BRACKETS

PIPE (mm)	COLLAR BRACKETS	A (mm)	B (mm)
63	RW1T/15	76	140
75	RW2T/15	76	155
100	RW3T/15	100	200
150	RW5T/15	112	235

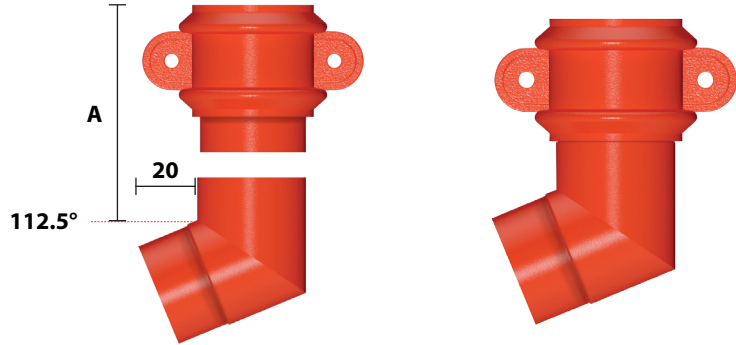


This item is used in place of a bracket i.e. at the base of the downpipe if no shoe is required.

TRADITIONAL ROUND CAST DOWNPIPE SYSTEM

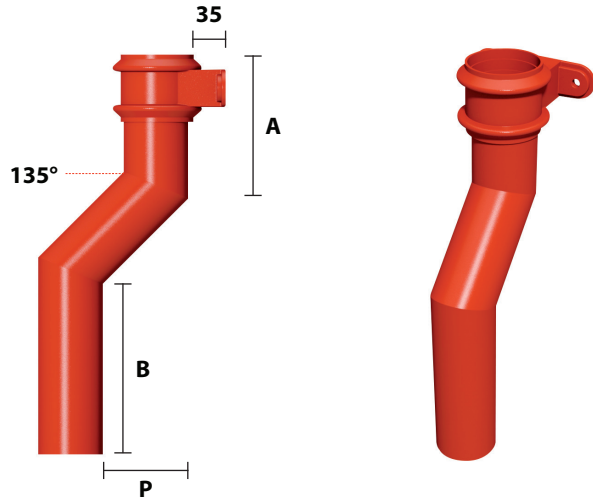
UNIVERSAL LEFT AND RIGHT HAND BENDS

PIPE (mm)	BEND (NO EARS)	BEND (EARS)	A (mm)
63	RW1T/21	RW1T/22	125
75	RW2T/21	RW2T/22	125
100	RW3T/21	RW3T/22	125
150	RW5T/21	RW5T/22	125



PLINTH OFFSETS

PIPE (mm)	OFFSET	A (mm)	B (mm)	P (mm)
63	RW1T/23	165	200	Please state size required
75	RW2T/23	170	200	
100	RW3T/23	180	200	
150	RW5T/23	240	200	



2 PIECE ADJUSTABLE SWAN NECKS

MAXIMUM PROJECTION OF SWAN NECKS

PIPE (mm)	ONE PIECE STATE SIZE	MAXIMUM PROJECTION OF SWAN NECKS						OTHER	MINIMUM PROJECTION P
		300	450	600	900	1200			
63	RW1T/25	RW1T/26	RW1T/27	RW1T/28	RW1T/29	RW1T/30	Please specify A, B & P, projection angle RW?/31	105	
75	RW2T/25	RW2T/26	RW2T/27	RW2T/28	RW2T/29	RW2T/30		115	
100	RW3T/25	RW3T/26	RW3T/27	RW3T/28	RW3T/29	RW3T/30		130	
150	RW5T/25	RW5T/26	RW5T/27	RW5T/28	RW5T/29	RW5T/30		170	

One-piece Swan Necks also available

