

Traditional Round Downpipes

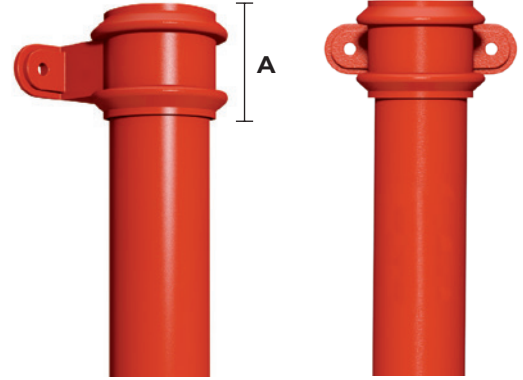
Extruded round aluminium downpipes with traditional cast collars.



TRADITIONAL ROUND CAST DOWNPIPE SYSTEM

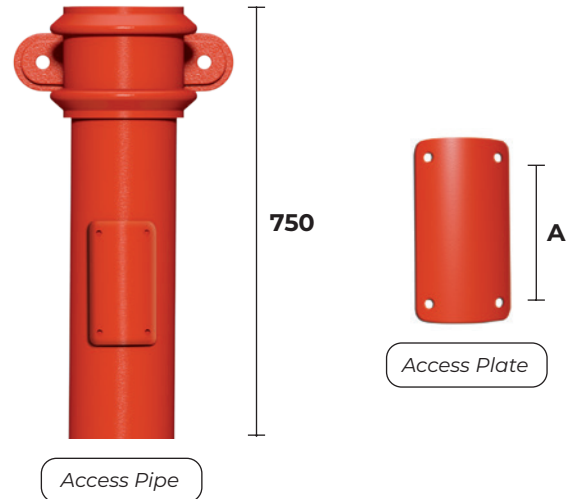
DOWNPIPE LENGTHS

PIPE (MM)	3m	1.8m	OTHER SPECIFY LENGTH	WALL THICKNESS	A (MM)
63	RW1T/1	RW1T/3	RW1T/6	1.6	76
75	RW2T/1	RW2T/3	RW2T/6	1.6	76
100	RW3T/1	RW3T/3	RW3T/6	1.6	100
150	RW5T/1	RW5T/3	RW5T/6	2.5	112



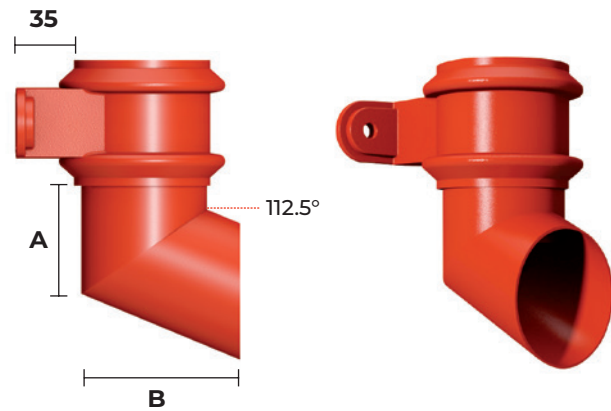
ACCESS PIPES & PLATES

PIPE (MM)	ACCESS PIPE COMPLETE WITH PLATE	ACCESS PLATE	A (MM)
63	RW1T/8	RW1T/9	100
75	RW2T/8	RW2T/9	100
100	RW3T/8	RW3T/9	130
150	RW5T/8	RW5T/9	200



SHOES

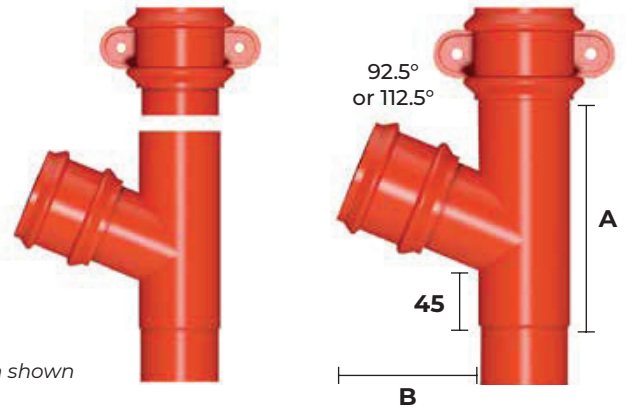
PIPE (MM)	SHOE	A (MM)	B (MM)
63	RW1T/10	140	95
75	RW2T/10	155	105
100	RW3T/10	180	130
150	RW5T/10	235	180



TRADITIONAL ROUND CAST DOWNPIPE SYSTEM

UNIVERSAL BRANCHES

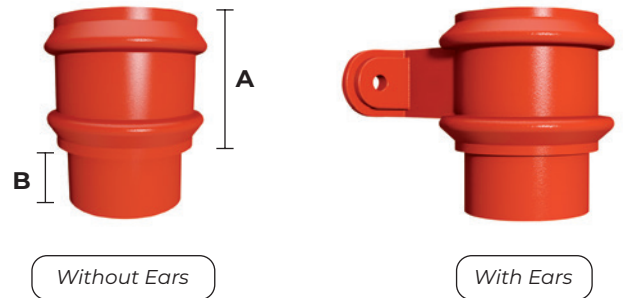
PIPE (MM)	112.5° BRANCH	92.5° BRANCH	A (MM)	B (MM)
63	RW1T/11	RW1T/51	320	140
75	RW2T/11	RW2T/51	335	145
100	RW3T/11	RW3T/51	360	155
150	RW5T/11	RW5T/51	410	205



CONNECTORS

PIPE (MM)	CONNECTOR (NO EARS)	CONNECTOR (EARS)	A (MM)	B (MM)
63	RW1T/12	RW1T/13	76	50
75	RW2T/12	RW2T/13	76	50
100	RW3T/12	RW3T/13	100	50
150	RW5T/12	RW5T/13	112	60

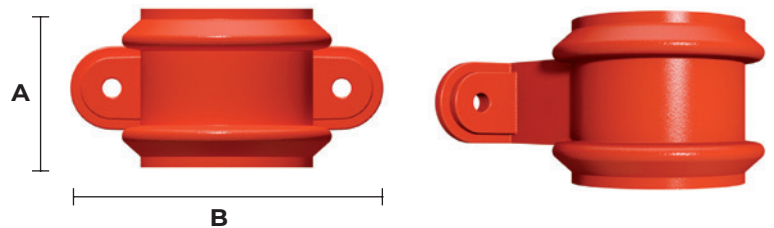
Note: A standard round downpipe plain connector can also be used.



COLLAR BRACKETS

PIPE (MM)	COLLAR BRACKETS	A (MM)	B (MM)
63	RW1T/15	76	140
75	RW2T/15	76	155
100	RW3T/15	100	200
150	RW5T/15	112	235

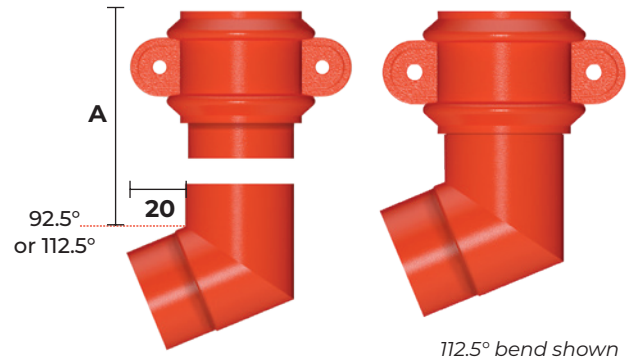
This item is used in place of a bracket i.e. at the base of the downpipe if no shoe is required.



TRADITIONAL ROUND CAST DOWNPIPE SYSTEM

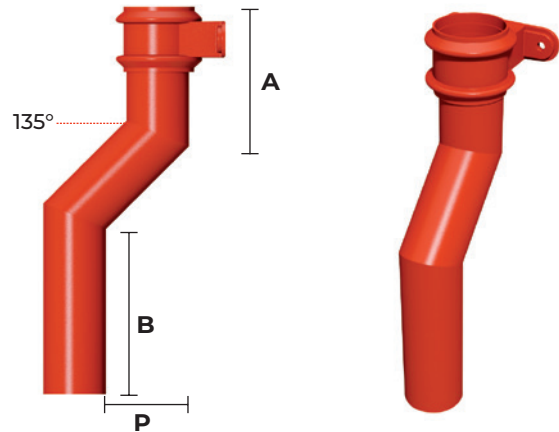
UNIVERSAL BENDS

PIPE (MM)	112.5° BEND (NO EARS)	112.5° BEND (EARS)	92.5° BEND (NO EARS)	92.5° BEND (EARS)	A (MM)
63	RW1T/21	RW1T/22	RW1T/61	RW1T/62	125
75	RW2T/21	RW2T/22	RW2T/61	RW2T/62	125
100	RW3T/21	RW3T/22	RW3T/61	RW3T/62	125
150	RW5T/21	RW5T/22	RW5T/61	RW5T/62	125



PLINTH OFFSETS

PIPE (MM)	OFFSET	A (MM)	B (MM)	P (MM)
63	RW1T/23	165	200	Please state size required
75	RW2T/23	170	200	
100	RW3T/23	180	200	
150	RW5T/23	240	200	



SWAN NECKS

PIPE (MM)	ONE PIECE STATE SIZE	MAXIMUM PROJECTION OF SWAN NECKS					OTHER	MINIMUM PROJECTION P
		300	450	600	900	1200		
112.5° ANGLE								
63	RW1T/25	RW1T/26	RW1T/27	RW1T/28	RW1T/29	RW1T/30	Please specify A, B & P, projection angle RW?/31	105
75	RW2T/25	RW2T/26	RW2T/27	RW2T/28	RW2T/29	RW2T/30		115
100	RW3T/25	RW3T/26	RW3T/27	RW3T/28	RW3T/29	RW3T/30		130
150	RW5T/25	RW5T/26	RW5T/27	RW5T/28	RW5T/29	RW5T/30		170
92.5° ANGLE								
63	RW1T/65	RW1T/66	RW1T/67	RW1T/68	RW1T/69	RW1T/70	Please specify A, B & P, projection angle RW?/71	105
75	RW2T/65	RW2T/66	RW2T/67	RW2T/68	RW2T/69	RW2T/70		115
100	RW3T/65	RW3T/66	RW3T/67	RW3T/68	RW3T/69	RW3T/70		130
150	RW5T/65	RW5T/66	RW5T/67	RW5T/68	RW5T/69	RW5T/70		170

