

GUTTERCREST

ALUMINIUM

GEORGIAN SQUARE & RECTANGLE DOWNPIPES



75 X 75 mm
3 X 3"



75 X 50 mm
3 X 2"



100 X 100 mm
4 X 4"



100 X 75 mm
4 X 3"

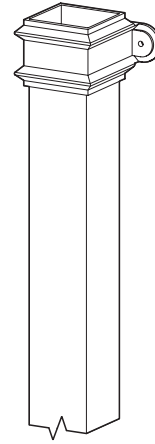
PRICE LIST

PRICE LIST

GEORGIAN SQUARE & RECTANGULAR DOWNPIPE SYSTEM

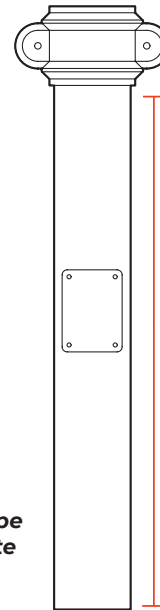
DOWNPIPE LENGTHS

Pipe (mm)	75 x 50	75 x 75	100 x 75	100 x 100
3.0mtr	RW32G/1	RW33G/1	RW43G/1	RW44G/1
MILL	44.47	52.41	69.72	78.97
PPC	51.18	60.46	79.11	89.70
1.8mtr	RW32G/3	RW33G/3	RW43G/3	RW44G/3
MILL	31.67	36.98	47.81	53.86
PPC	35.69	41.81	53.44	60.30
1.0mtr	RW32G/5	RW33G/5	RW43G/5	RW44G/5
MILL	25.17	28.94	35.73	39.77
PPC	27.41	31.62	38.86	41.65

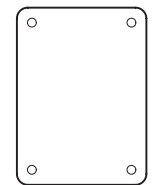


ACCESS PIPES & PLATES

Pipe (mm)	75 x 50	75 x 75	100 x 75	100 x 100
Pipe With Plate	RW32G/8	RW33G/8	RW43G/8	RW44G/8
MILL	27.46	30.60	36.14	40.53
PPC	29.29	32.85	38.77	43.53
Plate Only	RW32/9	RW33/9	RW43/9	RW44/9
MILL	2.21	2.21	2.56	2.53
PPC	2.71	2.71	3.06	3.03



Approx
700mm

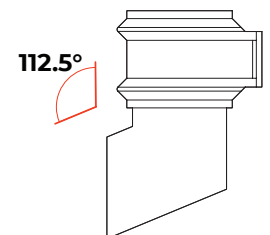
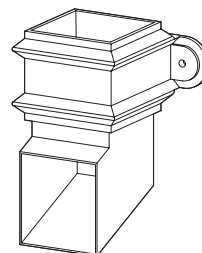


Access Plate

Access Pipe
With Plate

SHOES

Pipe (mm)	75 x 50	75 x 75	100 x 75	100 x 100
Shoe	RW32G/10	RW33G/10	RW43G/10	RW44G/10
MILL	21.68	24.34	27.01	32.28
PPC	22.18	24.97	27.74	33.23



112.5°

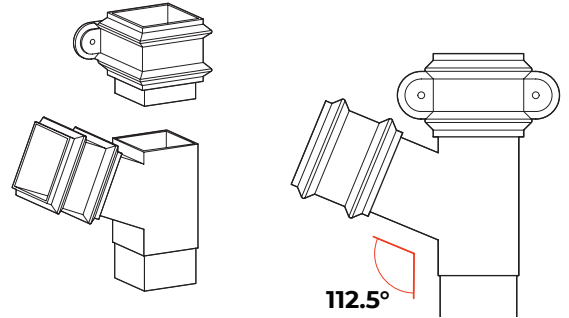
PRICE LIST

GEORGIAN SQUARE & RECTANGULAR DOWNPIPE SYSTEM

UNIVERSAL BRANCHES

Pipe (mm)	75 x 50	75 x 75	100 x 75	100 x 100
Branch	RW32G/11	RW33G/11	RW43G/11	RW44G/11
MILL	41.38	45.19	51.86	59.95
PPC	41.99	45.92	52.80	61.03

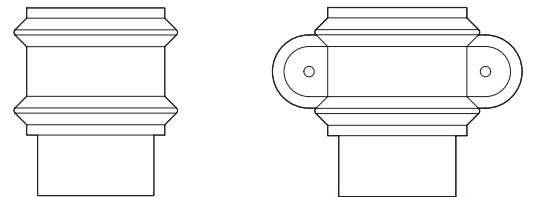
NOTE: UNIVERSAL BRANCH FOR LEFT OR RIGHT, IF ONE PIECE IS REQUIRED PLEASE STATE INCLUDING LEFT OR RIGHT HAND



CONNECTORS

Pipe (mm)	75 x 50	75 x 75	100 x 75	100 x 100
Connector No Ears	RW32G/12	RW33G/12	RW43G/12	RW44G/12
MILL	14.73	15.49	17.57	19.26
PPC	15.23	15.99	18.07	19.78
Connector Eared	RW32G/13	RW33G/13	RW43G/13	RW44G/13
MILL	15.62	17.59	17.50	20.85
PPC	16.12	18.09	18.00	21.37

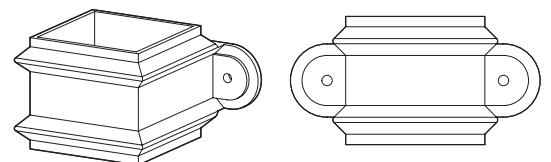
NOTE: GROUND ADAPTORS AVAILABLE



COLLAR BRACKETS

Pipe (mm)	75 x 50	75 x 75	100 x 75	100 x 100
Collar Bkt Eared	RW32G/15	RW33G/15	RW43G/15	RW44G/15
MILL	12.37	13.38	14.00	14.88
PPC	12.87	13.88	14.50	15.38

NOTE: THIS ITEM IS USED IN PLACE OF A BRACKET, FOR EXAMPLE AT THE BASE OF A DOWNPIPE IF NO SHOE IS REQUIRED



PRICE LIST

GEORGIAN SQUARE & RECTANGULAR DOWNPIPE SYSTEM

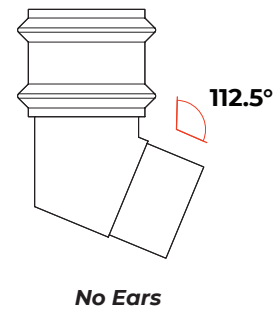
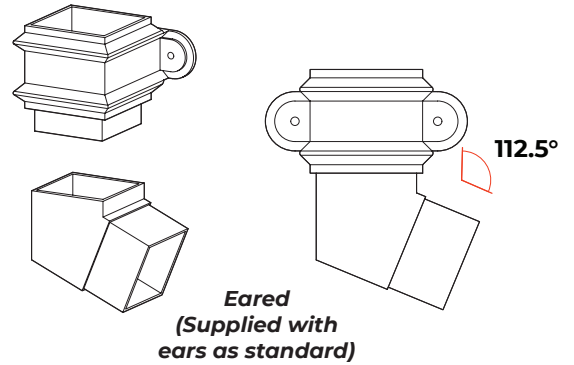
BENDS

Pipe (mm)	75 x 50	75 x 75	100 x 75	100 x 100
Side Bend No Ears	RW32G/21	RW33G/21	RW43G/21	RW44G/21
MILL	25.06	26.53	32.35	35.60
PPC	25.56	27.06	32.97	36.37
Side Bend Eared	RW32G/22	RW33G/22	RW43G/22	RW44G/22
MILL	25.96	28.63	32.29	37.19
PPC	26.46	29.16	32.91	37.96

NOTE: UNIVERSAL BENDS FOR LEFT OR RIGHT, IF ONE PIECE IS REQUIRED PLEASE STATE INCLUDING LEFT OR RIGHT HAND

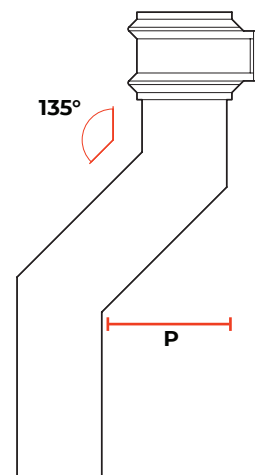
NORMALLY USED WITH A BRANCH

RECTANGULAR BENDS CAN ONLY BE USED AS A SIDE LEFT OR RIGHT NOT FORWARD OR REAR PROJECTING



PLINTH OFFSETS

Pipe (mm)	75 x 50	75 x 75	100 x 75	100 x 100
Offset Up To 150mm	RW32G/23	RW33G/23	RW43G/23	RW44G/23
MILL	38.52	42.83	47.80	52.39
PPC	39.57	44.09	49.30	54.14



PRICE LIST

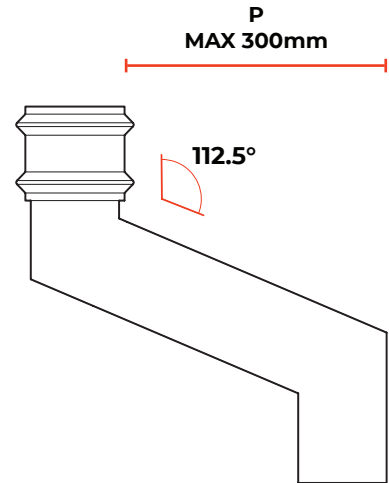
GEORGIAN SQUARE & RECTANGULAR DOWNPIPE SYSTEM

SWAN NECKS

SWAN NECK 1 PIECE

Pipe (mm)	75 x 50	75 x 75	100 x 75	100 x 100
One Piece 300mm	RW32G/25	RW33G/25	RW43G/25	RW44G/25
MILL	48.69	52.26	58.67	63.58
PPC	50.08	53.87	60.55	65.81

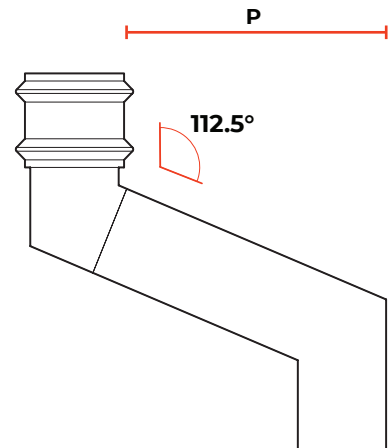
NOTE: PLEASE STATE PROJECTION (P) SIZE



SWAN NECK 2 PIECE

Pipe (mm)	75 x 50	75 x 75	100 x 75	100 x 100
Two Piece 300mm	RW32G/26	RW33G/26	RW43G/26	RW44G/26
MILL	33.85	36.64	46.78	48.58
PPC	35.37	38.42	48.86	51.07
Two Piece 450mm	RW32G/27	RW33G/27	RW43G/27	RW44G/27
MILL	35.68	38.85	47.93	51.84
PPC	37.56	41.06	50.51	54.90
Two Piece 600mm	RW32G/28	RW33G/28	RW43G/28	RW44G/28
MILL	37.32	40.83	50.72	55.05
PPC	39.57	43.48	53.81	58.70
Two Piece 900mm	RW32G/29	RW33G/29	RW43G/29	RW44G/29
MILL	42.59	45.16	58.87	62.44
PPC	45.56	48.68	62.98	67.25
Two Piece 1200mm	RW32G/30	RW33G/30	RW43G/30	RW44G/30
MILL	45.30	50.44	62.92	71.09
PPC	49.01	54.85	68.06	77.08

NOTE: PLEASE STATE PROJECTION (P) SIZE



PRICE LIST

FIXINGS & SEALANTS

Code	Qty	Description	Price
GM1	25	Gutter Fixing 38 x 5.5 A2 Stainless Steel	4.42
GM2	100	Gutter Fixing 38 x 5.5 A2 Stainless Steel	12.00
GM3	200	Gutter Fixing 38 x 5.5 A2 Stainless Steel	22.40



GM1 - GM5

Code	Qty	Description	Price
GM201	25	4.8 x 14.7 All Aluminium sealed Rivet	3.13
GM202	100	4.8 x 14.7 All Aluminium sealed Rivet	12.03
GM203	200	4.8 x 14.7 All Aluminium sealed Rivet	23.94



GM201 - GM203

Code	Qty	Description	Price
GM610	25	6.3mm STRUCTURAL Aluminium Rivet	10.66
GM620	100	6.3mm STRUCTURAL Aluminium Rivet	37.44



GM610 - GM620

Code	Qty	Description	Price
GM20	25	Downpipe Fixing 6 x 50 A2 Stainless Steel	9.05
GM21	100	Downpipe Fixing 6 x 50 A2 Stainless Steel	31.17



GM20 - GM21

Code	Qty	Description	Price
GM30	1	380ml Cartridge Silicone Sealant - Grey	11.07
GM32	1	1no 12mtr Reel Butyl Tape 12mm x 3mm	4.67
GM34	1	1 Litre Sealant Cleaner	10.96
GM40	1	0.5ltr Touch Up Paint - Colour to match order	23.35
GM50	1	1no Drill Bit 4.8mm	2.10
GM51	1	1no Drill Bit 6.4mm	3.32



GM30



GM32



GM50 - GM60

Code	Qty	Description	Price
GM910	1	Standard Rainwater Rivet Gun	19.52
GM920	1	Professional Rivet Gun - Interchangeable collets for rainwater and structural rivets	111.10



GM910



GM920

PRICE LIST

CARRIAGE CHARGES

GUTTERS, DOWNPIPES & HOPPERS

TOTAL NET ORDER VALUE (EXCLUDING VAT)		PRICE
£0 - £99	BOXED UP TO 10KG	£15.00 Min Charge
£0 - £99	3M LENGTHS UP TO 10KGS	£30.00
£100 - £624		£40.00
£625 - £1249		£55.00
£1250 PLUS		FREE DELIVERY

Delivery Exclusions Apply: Please see the Charges section below

COPING, FASCIAS & SOFFITS

TOTAL NET ORDER VALUE (EXCLUDING VAT)	PRICE
£0 - £150	£40.00
£151 - £1249	£95.00
£1250 PLUS	FREE DELIVERY

Delivery Exclusions Apply: Please see the Charges section below

CHARGES

With a fleet of Guttercrest vehicles and outside couriers, we deliver all our aluminium products to your local builders merchant or direct to site.

SCOTTISH MAINLAND

Standard carriage charges apply on Postcode areas: DG, EH, G, KA, KY, TD

ALSO TO INCLUDE: DD1 - DD7, FK1 - FK7, FK9 - FK15, FK8 STERLING ONLY (Rest of FK8 will be price on application), KY1 - KY16, PA1 - PA19, PH1 - PH4, PH12 - PH14

All other Scottish Mainland, carriage price on application.

NON MAINLAND

For delivery to Northern Ireland, The Republic of Ireland and all offshore Islands, carriage Price on application.

EXPORT

Price on application.

Tel: +44 (0)1691 663300

Email: info@guttercrest.co.uk

VAT will be charged at the appropriate rate.

