

GUTTERCREST

ALUMINIUM

GEORGIAN SQUARE & RECTANGLE DOWNPIPES



75 X 75 mm
3 X 3"



75 X 50 mm
3 X 2"



100 X 100 mm
4 X 4"



100 X 75 mm
4 X 3"

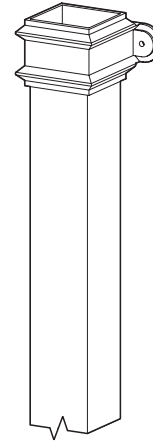
PRICE LIST

PRICE LIST

GEORGIAN SQUARE & RECTANGULAR DOWNPIPE SYSTEM

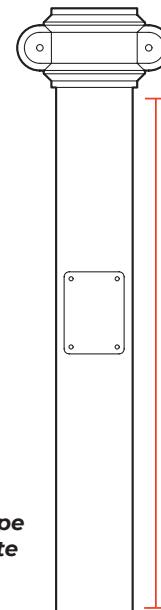
DOWNPIPE LENGTHS

Pipe (mm)	75 x 50	75 x 75	100 x 75	100 x 100
3.0mtr	RW32G/1	RW33G/1	RW43G/1	RW44G/1
MILL	44.47	52.41	69.72	78.97
PPC	51.18	60.46	79.11	89.70
1.8mtr	RW32G/3	RW33G/3	RW43G/3	RW44G/3
MILL	31.67	36.98	47.81	53.86
PPC	35.69	41.81	53.44	60.30

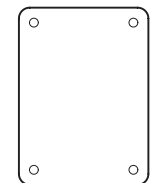


ACCESS PIPES & PLATES

Pipe (mm)	75 x 50	75 x 75	100 x 75	100 x 100
Pipe With Plate	RW32G/8	RW33G/8	RW43G/8	RW44G/8
MILL	27.46	30.60	36.14	40.53
PPC	29.29	32.85	38.77	43.53
Plate Only	RW32/9	RW33/9	RW43/9	RW44/9
MILL	2.21	2.21	2.56	2.53
PPC	2.71	2.71	3.06	3.03



Approx
700mm

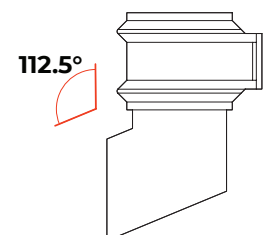
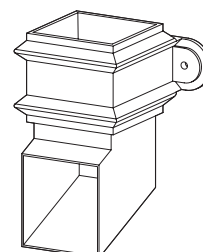


Access Plate

Access Pipe
With Plate

SHOES

Pipe (mm)	75 x 50	75 x 75	100 x 75	100 x 100
Shoe	RW32G/10	RW33G/10	RW43G/10	RW44G/10
MILL	21.68	24.34	27.01	32.28
PPC	22.18	24.97	27.74	33.23



112.5°

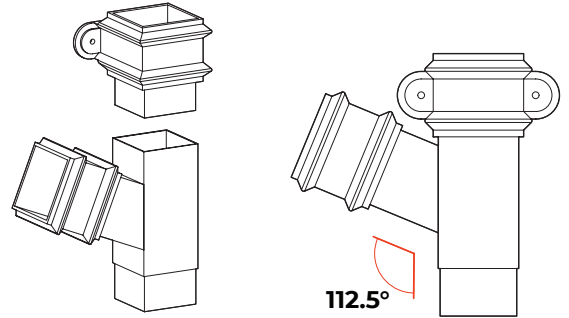
PRICE LIST

GEORGIAN SQUARE & RECTANGULAR DOWNPIPE SYSTEM

UNIVERSAL BRANCHES

Pipe (mm)	75 x 50	75 x 75	100 x 75	100 x 100
Branch	RW32G/11	RW33G/11	RW43G/11	RW44G/11
MILL	41.38	45.19	51.86	59.95
PPC	41.99	45.92	52.80	61.03

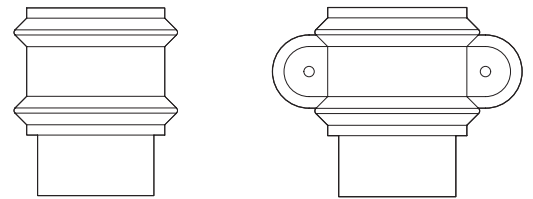
NOTE: UNIVERSAL BRANCH FOR LEFT OR RIGHT, IF ONE PIECE IS REQUIRED PLEASE STATE INCLUDING LEFT OR RIGHT HAND



CONNECTORS

Pipe (mm)	75 x 50	75 x 75	100 x 75	100 x 100
Connector No Ears	RW32G/12	RW33G/12	RW43G/12	RW44G/12
MILL	14.73	15.49	17.57	19.26
PPC	15.23	15.99	18.07	19.78
Connector Eared	RW32G/13	RW33G/13	RW43G/13	RW44G/13
MILL	15.62	17.59	17.50	20.85
PPC	16.12	18.09	18.00	21.37

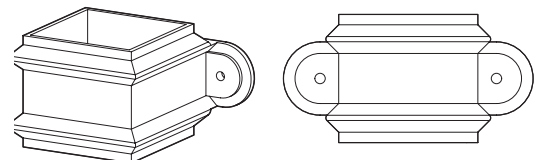
NOTE: GROUND ADAPTORS AVAILABLE



COLLAR BRACKETS

Pipe (mm)	75 x 50	75 x 75	100 x 75	100 x 100
Collar Bkt Eared	RW32G/15	RW33G/15	RW43G/15	RW44G/15
MILL	12.37	13.38	14.00	14.88
PPC	12.87	13.88	14.50	15.38

NOTE: THIS ITEM IS USED IN PLACE OF A BRACKET, FOR EXAMPLE AT THE BASE OF A DOWNPIPE IF NO SHOE IS REQUIRED



PRICE LIST

GEORGIAN SQUARE & RECTANGULAR DOWNPIPE SYSTEM

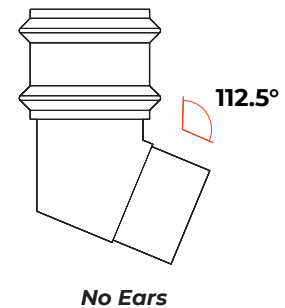
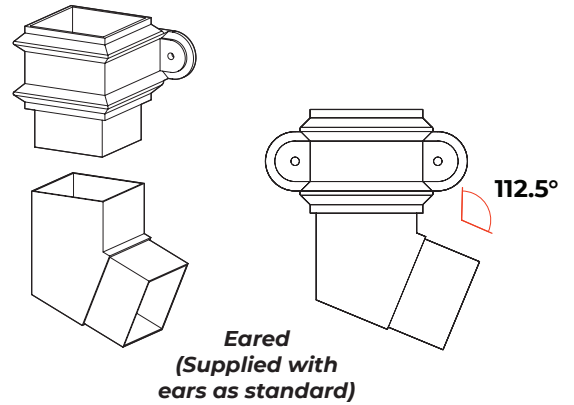
BENDS

Pipe (mm)	75 x 50	75 x 75	100 x 75	100 x 100
Side Bend No Ears	RW32G/21	RW33G/21	RW43G/21	RW44G/21
MILL	25.06	26.53	32.35	35.60
PPC	25.56	27.06	32.97	36.37
Side Bend Eared	RW32G/22	RW33G/22	RW43G/22	RW44G/22
MILL	25.96	28.63	32.29	37.19
PPC	26.46	29.16	32.91	37.96

NOTE: UNIVERSAL BENDS FOR LEFT OR RIGHT, IF ONE PIECE IS REQUIRED PLEASE STATE INCLUDING LEFT OR RIGHT HAND

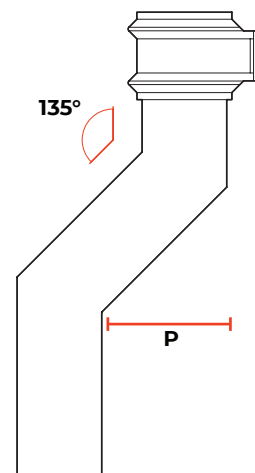
NORMALLY USED WITH A BRANCH

RECTANGULAR BENDS CAN ONLY BE USED AS A SIDE LEFT OR RIGHT NOT FORWARD OR REAR PROJECTING



PLINTH OFFSETS

Pipe (mm)	75 x 50	75 x 75	100 x 75	100 x 100
Offset Up To 150mm	RW32G/23	RW33G/23	RW43G/23	RW44G/23
MILL	38.52	42.83	47.80	52.39
PPC	39.57	44.09	49.30	54.14



PRICE LIST

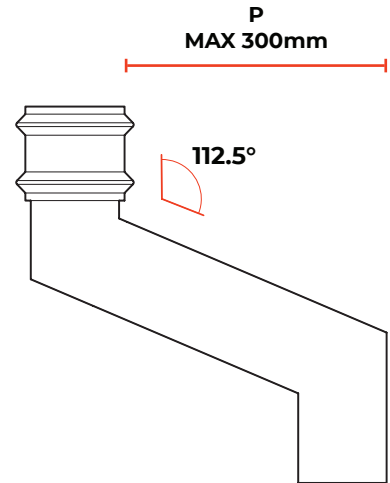
GEORGIAN SQUARE & RECTANGULAR DOWNPIPE SYSTEM

SWAN NECKS

SWAN NECK 1 PIECE

Pipe (mm)	75 x 50	75 x 75	100 x 75	100 x 100
One Piece 300mm	RW32G/25	RW33G/25	RW43G/25	RW44G/25
MILL	48.69	52.26	58.67	63.58
PPC	50.08	53.87	60.55	65.81

NOTE: PLEASE STATE PROJECTION (P) SIZE



SWAN NECK 2 PIECE

Pipe (mm)	75 x 50	75 x 75	100 x 75	100 x 100
Two Piece 300mm	RW32G/26	RW33G/26	RW43G/26	RW44G/26
MILL	33.85	36.64	46.78	48.58
PPC	35.37	38.42	48.86	51.07
Two Piece 450mm	RW32G/27	RW33G/27	RW43G/27	RW44G/27
MILL	35.68	38.85	47.93	51.84
PPC	37.56	41.06	50.51	54.90
Two Piece 600mm	RW32G/28	RW33G/28	RW43G/28	RW44G/28
MILL	37.32	40.83	50.72	55.05
PPC	39.57	43.48	53.81	58.70
Two Piece 900mm	RW32G/29	RW33G/29	RW43G/29	RW44G/29
MILL	42.59	45.16	58.87	62.44
PPC	45.56	48.68	62.98	67.25
Two Piece 1200mm	RW32G/30	RW33G/30	RW43G/30	RW44G/30
MILL	45.30	50.44	62.92	71.09
PPC	49.01	54.85	68.06	77.08

NOTE: PLEASE STATE PROJECTION (P) SIZE

